



# Houses and Low Rise Multi-Residential External Walls PowerPanelXL

Design and  
Installation Guide



NEW



# Contents

This Design Guide has been prepared as a source of information to provide general guidance to consultants – and in no way replaces the services of the professional consultant and relevant engineers designing the project.

It is the responsibility of the architectural designer and engineering parties to ensure that the details in this Design and Installation Guide are appropriate for the intended application.

The recommendations of this guide are formulated along the lines of good building practice, but are not intended to be an exhaustive statement of all relevant data.

Introduction	3
--------------	---

<b>1. Design and selection details</b>	<b>6</b>
– How to design with Hebel PowerPanel <sup>XL</sup>	7
– Structural provisions	8
– Design and detailing considerations	13
– System components	15

<b>2. System performance</b>	<b>17</b>
– Durability	17
– Fire resistance performance	19
– Energy efficiency	20
– Sound transmission and insulation	24
– Coating requirements	25
– Weatherproofing	26

<b>3. Installation detail</b>	<b>27</b>
– Hebel PowerPanel <sup>XL</sup> installation sequence	27
– Tools and equipment for construction	28
– Installation of services	28
– Construction details – Hebel PowerPanel <sup>XL</sup>	29

<b>4. Handling, storage and responsibility</b>	<b>50</b>
– Delivery and storage	50
– Hebel Hoist	51
– Panel handling	52
– Design detailing and performance responsibilities	53

<b>Appendices</b>	<b>54</b>
– Appendix A: Hebel PowerPanel <sup>XL</sup> material properties	54
– Appendix B: Architectural specification	55
– Appendix C: Designer, builder, installer and inspector/supervisor checklists	56
– Appendix D: PowerPanel <sup>XL</sup>	59

# Better homes are built with Hebel



Hebel is a lightweight steel-reinforced Autoclave Aerated Concrete (AAC) that has been used in Europe for over 70 years and here in Australia for over 20 years.

## Hebel reduces your total cost to build

The unique Hebel System is a high performance masonry product that makes good business sense because it is fast to construct and easy to install.

The Hebel system does away with the need for costly and sometimes unreliable bricklayers and requires fewer skilled trades-people on site – whether you choose to install yourself using existing trades or have it supplied and installed by readily available and experienced crews.

## Desired by homeowners for its design and sustainability

Hebel PowerPanel<sup>XL</sup> provides an attractive, modern exterior that can be completed in individual finishes and colours to provide a wide range of contemporary and aspirational looks that appeal to many new home buyers.

Hebel is also highly fire resistant, boasts high acoustic absorbing properties and because Hebel is a masonry product with in-built insulation, it assists in improving energy ratings (and reducing costly energy bills for cooling and heating).

Hebel has attained endorsement for using 61% and 64% less embodied energy than the comparative products concrete and brick and 64% and 55% less Greenhouse gas emissions than the comparative products concrete and brick (GECA Report 2006).

## Proven in the market and Australian made by CSR

Hebel is 100% manufactured in Australia by CSR Building Products Limited, so you can depend and rely on the product quality, technical expertise, warranty and stock supplies. With CSR you can trust that everything has been proven, tested and continually improved.



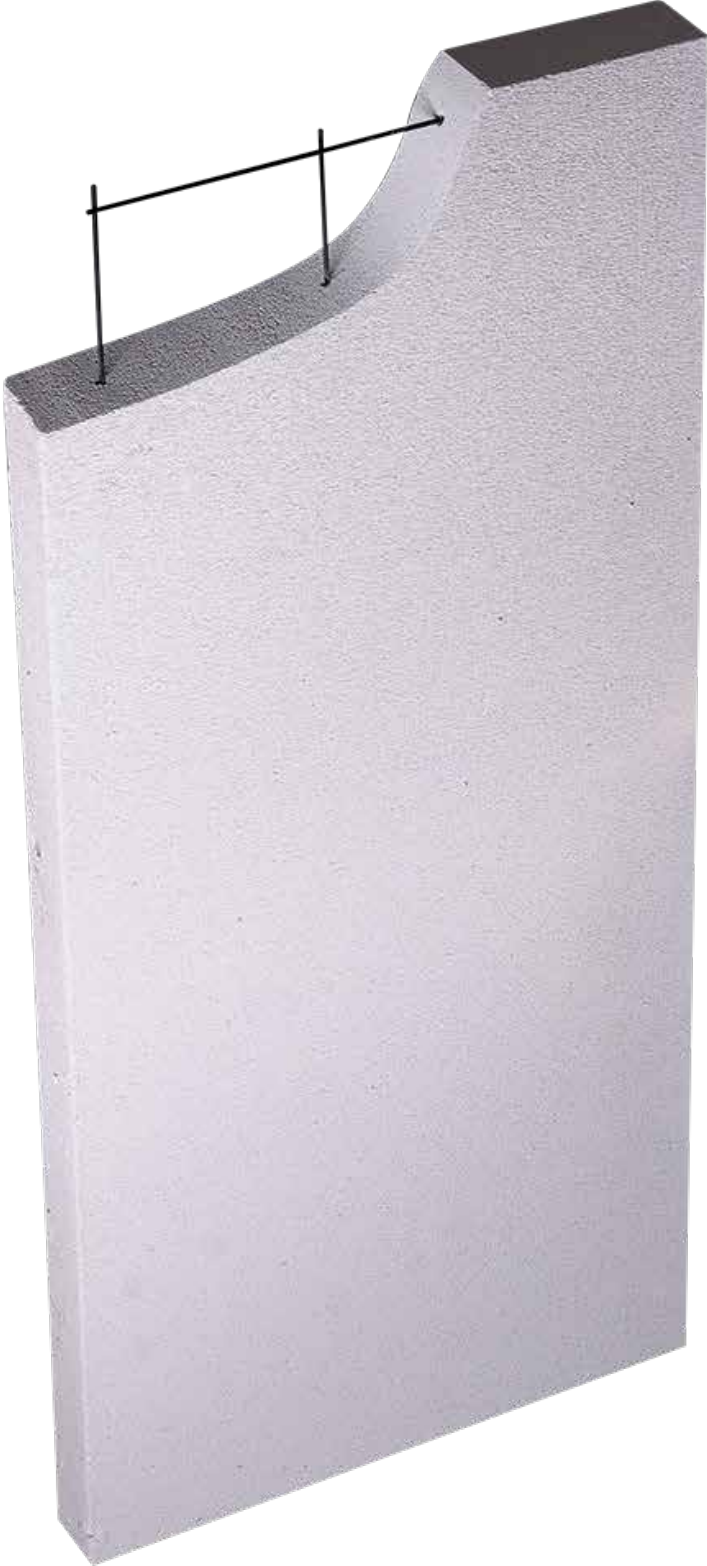
HEB - 2010  
Environmentally Innovative Products



# Hebel PowerPanel<sup>XL</sup>. Better to

At the heart of the Hebel low rise residential external wall system is the Hebel PowerPanel<sup>XL</sup> – a 75mm thick, steel reinforced building panel made from AAC (Autoclaved Aerated Concrete) supplied in lengths of 1200mm to 3000mm for standard widths of 600mm.

Hebel's unique attributes are displayed in the Hebel 'tick' symbol below:





# build with...



## Faster construction period

Hebel PowerPanel<sup>XL</sup> panels are faster to install and require significantly less labour compared to traditional masonry construction techniques, which leads to substantial savings in site costs.

Your project reaches key stages quicker (eg: lock-up in housing). Building with Hebel also means a cleaner, safer work area during construction and less clean-up at completion of building.



## Lightweight yet solid and tough as brick

Being a lightweight concrete reinforced with steel, Hebel PowerPanel<sup>XL</sup> panels pass the critical 'knock test'.



## A comforting thought for a comfortable living environment

Hebel's unique AAC construction provides superior insulation qualities for a masonry product. The unique

combination of thermal resistance along with thermal mass, make building with Hebel a smart choice for meeting Australia's stringent building regulations.

For unit and home owners, the thermal efficiencies of Hebel reduces the reliance on heating and cooling appliances – the combined effects of using a heater less in winter and fans or air conditioning less in summer and warmer months, can have a big impact on rising energy costs.



## Highly fire resistant for peace of mind and added security

Hebel is non-combustible and renowned for its highly fire resistant properties. The PowerPanel<sup>XL</sup> External Wall System achieves a FRL (Fire Resistance Level)

up to 180 minutes (assessed by CSIRO). It's another reason when building with Hebel you're building with peace-of-mind for your own future as well as the home owners future.



## A sound reason for better acoustic qualities

Hebel pioneered the introduction of lightweight wall panels providing acoustic performance levels at or above  $R_w + C_{tr} = 50$

in high rise multi-residential buildings.



## Sustainability for a better world in the long term starts today

Hebel delivers a diverse number of environmental benefits over brick and concrete. In an independent Life Cycle Assessment (the leading methodology

used to quantify the environmental impacts of a product's entire life) undertaken by Good Environment Choice Australia, in accord with international standard ISO 14 024, Hebel was found to have clear environmental benefits across all key environmental criteria.

To be awarded the label, products must have a 30% lower impact than alternatives. Hebel uses 61% and 64% less embodied energy and 64% and 55% less greenhouse gas emissions than the comparative products, concrete and brick veneer respectively.

As environmental consciousness and social responsibility increases, Hebel is striving to exceed further to set new sustainability standards in building materials and residential living.

# ...for all the best reasons

As a result of its impressive attributes and benefits, Hebel is an innovative and versatile masonry product. You can be confident that Hebel is ideal for houses and low rise residential external wall applications as outlined in the remainder of this Design and Installation Guide.

# Hebel PowerPanel<sup>XL</sup> is now a more efficient way to build

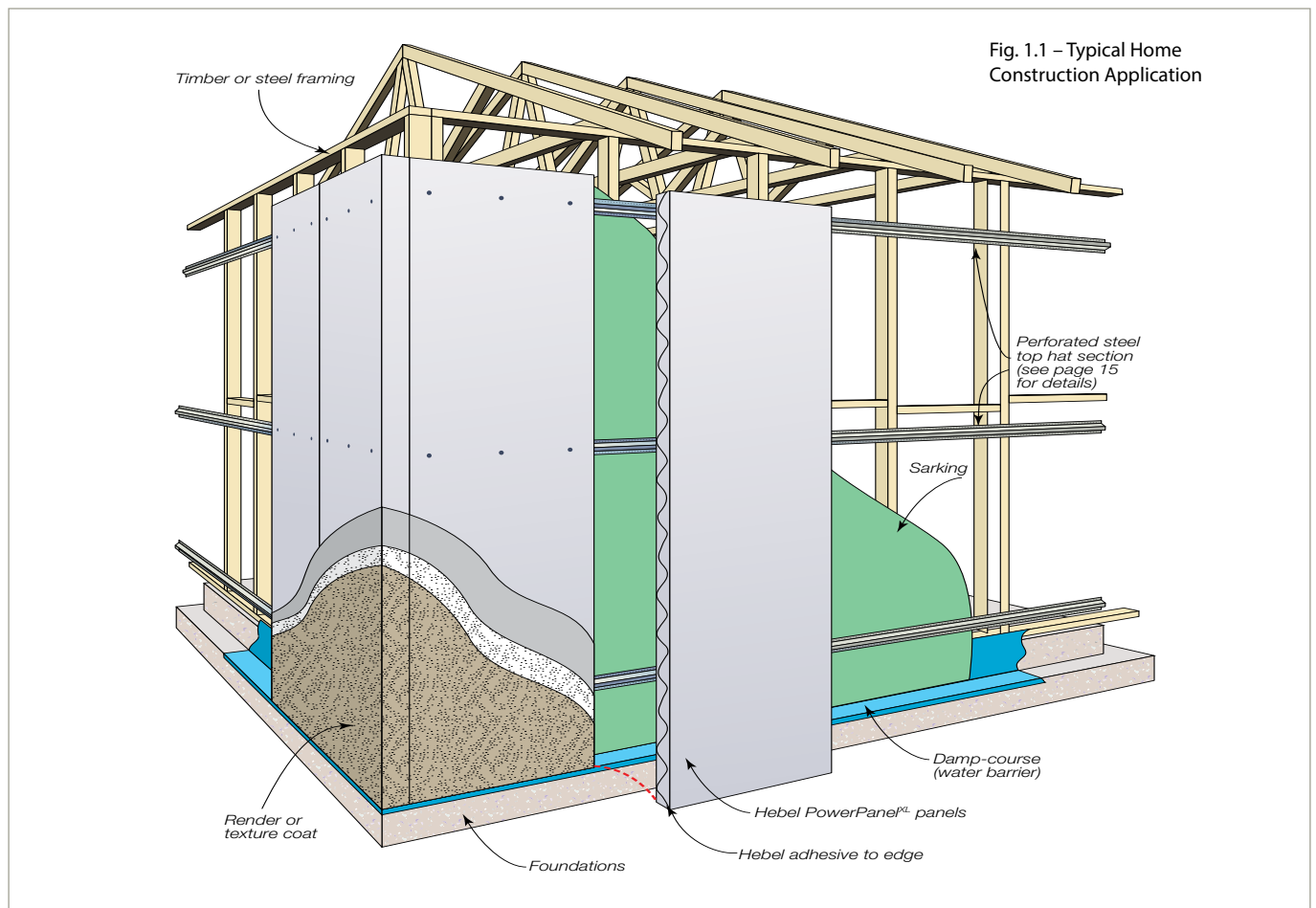
## The Hebel PowerPanel<sup>XL</sup> External Wall System, now 20% lighter

Hebel PowerPanel<sup>XL</sup> has been designed 20% lighter without compromising the structural integrity of the panel (refer to technical information).

The Hebel PowerPanel<sup>XL</sup> External Wall System for Houses & Low Rise Multi-Residential applications has been designed for homes built using either timber or steel framing including home extensions or re-cladding of existing homes. The system consists of 75mm thick, steel-reinforced Hebel

PowerPanel<sup>XL</sup> panels, fixed vertically to horizontal battens attached to the load-bearing frame.

For quick, clean construction, Hebel PowerPanel<sup>XL</sup> panels can be ordered in the stock lengths of 2400mm, 2700mm and 3000mm and in widths of 450mm and 600mm. The 600mm wide PowerPanel<sup>XL</sup> panels are also available in the additional lengths of 1200mm, 1800mm, and 2550mm (refer to technical information tables for specific details).



## The many applications of other Hebel products

In addition to the widely accepted Hebel PowerPanel<sup>XL</sup>, Hebel also manufactures a wide variety of building systems for floors and fencing and load bearing blocks for external and internal walls. For further information visit [www.hebelaustralia.com.au](http://www.hebelaustralia.com.au)

# 1.1 Designing an external wall using Hebel PowerPanel<sup>XL</sup>.

## Design Process

This section outlines the design process for determining the adequacy of Hebel PowerPanel<sup>XL</sup> panel.

- STEP 1: Determine the wind category, stud framing layout and panel height requirements.
- STEP 2: Design Criteria. Where required identify the BCA Performance Requirements:
  - Fire Resistance Level (FRL).
  - Sound insulation performance (R<sub>w</sub> values).
  - Energy Efficiency (R-Value).
- STEP 3: The flowchart below can be used to select a type, spacing and quantity of Top Hats and fixings to suit requirements.
- STEP 4: Select insulation and/or sarking material to suit energy efficiency and condensation requirements.
- STEP 5: Check adequacy of sound insulation and fire resistance level.
- STEP 6: Complete detailed design and documentation.

## Compliance with the Building Code of Australia (BCA)

All building solutions, such as walls, floors, ceilings, etc. must comply with the regulations outlined in the BCA or other authority.

The BCA is a performance based document, and is available in two volumes which align with two groups of 'Class of Building':

Volume 1 – Class 2 to Class 9 Buildings; and

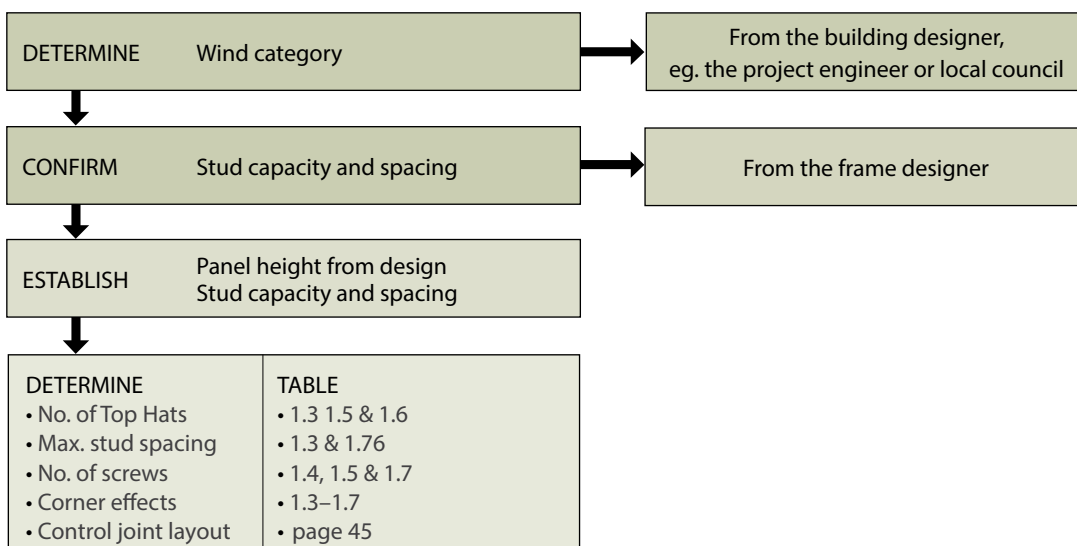
Volume 2 – Class 1 & Class 10 Buildings – Housing Provisions.

Each volume presents Regulatory Performance Requirements for different Building Solutions for various classes of buildings and performance provisions.

These Performance Provisions include: Structure; Fire Resistance; Damp & Weatherproofing; Sound Transmission & Insulation; and Energy Efficiency.

This design guide presents tables, charts and information necessary to assist in the design of a system incorporating Hebel PowerPanel<sup>XL</sup> that complies with the Performance Requirements of the BCA. The designer must check the adequacy of the building solution for Performance Requirements outlined by the appropriate authority.

Fig. 1.2 – Flow Chart for Design Process





# 1.2 Structural provisions

## Overview

The Hebel PowerPanel<sup>XL</sup> System consists of Hebel PowerPanel<sup>XL</sup> panels secured to the framing via horizontal steel Top Hats. This section provides the basic information on the selection of Top Hat spacings for a given stud spacing and wind category, as well as considerations to assist the designer in determining the appropriate wall configuration.

The design information presented in Tables 1.3 to 1.7 has been determined for the Hebel 24mm Perforated Top Hat Section (patent pending).

For other types of Top Hats, contact Hebel. Minimum performance requirements for the metal studs, Perforated Top Hats, fixings and Hebel PowerPanel<sup>XL</sup> have been provided to assist the designer.

**IMPORTANT:** The design and approval of the structural framing (cold-formed steel or timber) is to be provided by the framing product manufacturer and/or project engineer.

## Principles of Design

The principles on which the design is based include:

- a) The lateral wind loads applied to the panels are transferred into the horizontal Top Hats, then to the stud frame, which should be designed in accordance with the relevant Australian Standards for the imposed loads. The frame should be designed for all bracing and hold-down requirements.
- b) The design of the stud frame shall consider the weight of the suspended panels (such as the upper storey of two-storey construction).
- c) The system is not considered as cavity construction, as the Top Hat clearly bridges the cavity, hence the details show the necessity of sealing the windows and door frames, as well as applying a water resistant external coating.
- d) The system specifications vary with wind load. The notation used in AS1684 Residential Timber Framed Construction has been adopted.
- e) The localised effects of wind around corners of buildings have been considered in the design and included in the tables. The extent of this effect is discussed towards the end of this section.

### Criteria for Corner Panels

Due to the increase of wind load around the corners of buildings, extra Top Hats and screws may be necessary (N3 and greater) for a distance of 1200mm in each direction from the corner.

Tables 1.3 to 1.7 identify the installation criteria in these areas, in the columns titled 'Panel Location – Corner'.

### Earthquake Loads

Earthquake loading has not been considered in this design guide.

## Design Tables

This section presents tables to assist the designer in the selection of the number of Top Hats and number of screws for securing the Hebel PowerPanel<sup>XL</sup> panels to the framing, for a given wind category.

**IMPORTANT:** The wind category is to be used as a guide. The designer should check the project wind pressure against the values given in the tables.

## Stud Frame – Steel or Timber

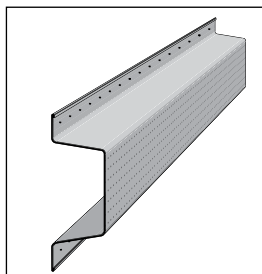
The stud frame shall be designed by the stud manufacturer or appropriate project engineer. Hebel PowerPanel<sup>XL</sup> panels are a masonry product and the support structure should be designed to provide sufficient stiffness.

The steel stud frame shall be designed and constructed in accordance with AS3623 and AS/NZS4600 (BCA Performance Requirement).

The timber stud frame shall be designed and constructed in accordance with AS1684.

## Perforated Steel Top Hat

Hebel Perforated Top Hats are provided in nominal widths of 24mm and 35mm and have been designed and constructed in accordance with AS3623 and AS/NZS4600 (BCA Performance Requirement). The following tables are based on the 24mm Perforated Top Hat section:



24mm Perforated Steel Top Hat Section Properties:

- Cold-formed perforated steel Top Hats.
- Minimum thickness 0.42mm BMT.
- Minimum yield strength 550MPa (zincalume).
- Coating class AZ150 (see Durability).

35mm Perforated Steel Top Hat Section Properties:

- Cold-formed perforated steel Top Hats.
- Minimum thickness 0.55mm BMT.
- Minimum yield strength 270MPa (Galvabond).
- Coating class Z275 (see Durability).

## Panels Supported at Base

Table 1.3 – Number of Top Hats – Panel Supported at Base (such as slab edge or shelf angle)

Wind Category	Ultimate Wind Pressure (kPa)		Stud Spacing (mm)	Number Of Top Hats Per Panel							
	Away From Corners	Within 1200mm of Corners		Panel Length (mm)							
				≤ 2400		≤ 2700		≤ 3000		≤ 3300	
				Panel Location		Panel Location		Panel Location		Panel Location	
				Typical	Corner	Typical	Corner	Typical	Corner	Typical	Corner
N2	0.67/-0.62	-1.25	600	3	3	3	3	4	4	4	4
N3,C1	1.05/-0.98	-1.95	600	3	4	3	4	4	4	4	5
N3,C1	1.05/-0.98	-1.95	450	3	3	3	3	4	4	4	4
N4,C2	1.56/-1.45	-2.90	450	3	4	3	5	4	5	4	6
N5,C3	2.30/-2.14	-4.27	450	4	4	5	5	5	5	5	6

Note:

1. Negative pressure indicates wind suction.
2. All Top Hats to be spaced evenly, with top and bottom Top Hats installed 250mm (maximum) from the end of the PowerPanel<sup>XL</sup>.
3. Additional Top Hats will be required below all window openings and above openings if a PowerPanel<sup>XL</sup> or sill block is to be installed in this location.
4. Corner panel location applies to a PowerPanel<sup>XL</sup> panel within 1200mm of corners.

Table 1.4 – Number of screws per panel at each top hat location – Panel supported at base (such as slab edge or shelf angle)

Wind Category	Ultimate Wind Pressure (kPa)		Stud Spacing (mm)	Number of Screws Per Panel Per Top Hat			
	Away From Corners	Within 1200mm of Corners		Panel Location			
				Typical		Corner	
				Top Hat Location		Top Hat Location	
				Ends	Middle	Ends	Middle
N2	0.67/-0.62	-1.25	600	2	2	2	2
N3	1.05/-0.98	-1.95	600	2	3	2	3
N3,C1	1.05/-0.98	-1.95	450	2	2	2	3
N4,C2	1.56/-1.45	-2.90	450	2	3	3	3
N5,C3	2.30/-2.14	-4.27	450	2	3	3	4

Note:

1. Type of screw used is 14-10x100mm Hex Head Type 17 screw, fixed from outside the building.
2. Corner panel location applies to PowerPanel<sup>XL</sup> within 1200mm of corners.

## Panels Suspended from Frame

Table 1.5 – Number of screws per panel at each top hat location – Panel suspended at gable ends

Wind Category	Ultimate Wind Pressure (kPa)		Stud Spacing (mm)	Number of Screws Per Panel Per Top Hat		Maximum Spacing of Top Hat (mm)	
	Away From Corners	Within 1200mm Of Corners		Panel Location		Panel Location	
				Typical	Corner	Typical	Corner
N2	0.67/-0.62	-1.25	600	2	3	800	750
N3	1.05/-0.98	-1.95	600	3	4	800	600
N3,C1	1.05/-0.98	-1.95	450	3	4	800	650
N4,C2	1.56/-1.45	-2.90	450	4	4	800	450
N5,C3	2.30/-2.14	-4.27	450	4	4	600	350

Note:

1. Top and bottom Top Hats installed 250mm (maximum) from the end of the PowerPanel<sup>XL</sup> panel.
2. Top Hats to be installed horizontally with panels to span vertically. Number of screws per panel per Top Hat information is not suitable for soffits or any other areas where the panel is not vertical.
3. Corner panel location applies to PowerPanel<sup>XL</sup> panels within 1200mm of corners.
4. Type of screw used is 14-10x100mm Hex Head Type 17 screw, fixed from outside the building.

Table 1.6 – Number of Top Hats – Panel suspended from framing (e.g second storey construction)

Wind Category	Ultimate Wind Pressure (Kpa)		Stud Spacing (Mm)	Number of Top Hats Per Panel							
	Away From Corners	Within 1200mm of Corners		Panel Length (mm)							
				≤ 2400		≤ 2700		≤ 3000		≤ 3300	
				Panel Location		Panel Location		Panel Location		Panel Location	
Typical	Corner	Typical	Corner	Typical	Corner	Typical	Corner				
N2	0.67/-0.62	-1.25	600	4	4	4	4	4	4	4	4
N3	1.05/-0.98	-1.95	600	4	4	4	4	4	4	4	4
N3,C1	1.05/-0.98	-1.95	450	4	4	4	4	4	4	4	4
N4,C2	1.56/-1.45	-2.90	450	4	4	4	4	4	5	4	5
N5,C3	2.30/-2.14	-4.27	450	4	5	5	6	5	6	5	6

Note:

1. Negative pressure indicates wind suction.
2. All Top Hats to be spaced evenly, with top and bottom Top Hats installed 250mm (maximum) from the end of the PowerPanel<sup>XL</sup> panel.
3. Additional Top Hats will be required below all window openings and above openings if a panel or sill block is to be installed in this location.
4. Corner panel location applies to PowerPanel<sup>XL</sup> panels within 1200mm of corners.

Table 1.7 – Number of screws per panel at each top hat location – Panel suspended from framing (e.g second storey construction)

Wind Category	Ultimate Wind Pressure (kPa)		Stud Spacing (mm)	Number of Screws Per Panel Per Top Hat			
	Away From Corners	Within 1200mm of Corners		Panel Location			
				Typical		Corner	
				Top Hat Location		Top Hat Location	
Ends	Middle	Ends	Middle				
N2	0.67/-0.62	-1.25	600	2	2	2	3
N3	1.05/-0.98	-1.95	600	2	3	3	4
N3,C1	1.05/-0.98	-1.95	450	2	3	3	4
N4,C2	1.56/-1.45	-2.90	450	2	4	3	4
N5,C3	2.30/-2.14	-4.27	450	2	4	4	4

Note:

1. Type of screw used is 14-10x100mm Hex Head Type 17 screw, fixed from outside the building.
2. Corner panel location applies to PowerPanel<sup>XL</sup> panels within 1200mm of corners.



## Hebel PowerPanel<sup>XL</sup>

Design procedures for the verification of wall systems consisting of Hebel autoclaved aerated concrete (AAC) PowerPanel<sup>XL</sup> panels generally follow the design principles outlined in Australian Standard AS3600 – Concrete Structures for strength and serviceability design, with the exception of cover requirements for durability and development length for reinforcement.

The serviceability design of the Hebel PowerPanel<sup>XL</sup> panels has been carried out using the Transformed Section Theory, as detailed in the text book, 'Reinforced Concrete' by Warner, Rangan and Hall (Longman Cheshire). The load carrying capacity of the Hebel PowerPanel<sup>XL</sup> panels is influenced by several factors, such as:

- Imposed action (wind).
- Lateral stiffness of the supporting structure (lightweight structural (cold-formed) steel framing).
  - Stud size and spacings.
  - Deflection limit.
- Height of the wall.
- Number and spacing of the Top Hats.
- Number of screw fixings considered effective.

## Fixings

Table 1.8 outlines the connection type and requirements for constructing Hebel PowerPanel<sup>XL</sup> detailed in this design guide. The project engineer or framing manufacturer is responsible for specification of alternative details. The minimum performance requirement of the screw is:

- Minimum screw coating class in accordance with AS3566: Class 3. (Refer Section 6.0 for Durability).

Table 1.8 – Screws Types

Type of Screw	Application	Socket Type
12-11x35mm Hex Head Type 17 screw	Fix Top Hat to timber frame	5/16" Hex Mag. Socket
10-16x16mm Hex Head self drilling screw	Fix Top Hat to steel stud frame (1.2mm BMT max.)	5/16" Hex Mag. Socket
14-10x65mm Hex Head Type 17 screw	Fix PowerPanel <sup>XL</sup> to Top Hat from inside of building (Boundary application only)*	3/8" Hex Mag. Socket
14-10x90mm Hex Head Type 17 screw	Fix PowerPanel <sup>XL</sup> to Top Hat from outside of building	5mm Hex drive bit 50mm long

\* For construction details of PowerPanel<sup>XL</sup> panels in boundary wall applications, please contact Hebel Technical Services.

## Design Considerations

### Structural Framing Design

The use of Hebel PowerPanel<sup>XL</sup> in two-storey construction involves a number of design issues that require attention. In conjunction with the following, refer to the Construction Details in Section 3.4 Note, when PowerPanel<sup>XL</sup> panels are suspended from the stud frame, the project engineer shall design the frame to support the weight of the PowerPanel<sup>XL</sup> panels.

#### Design Tip

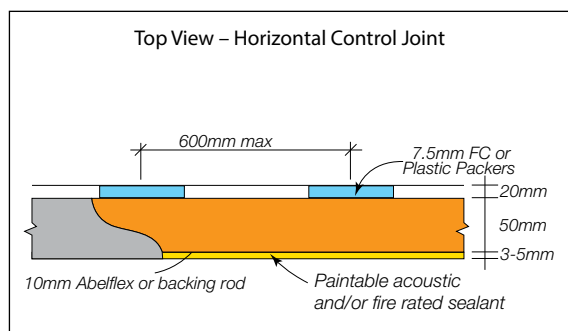
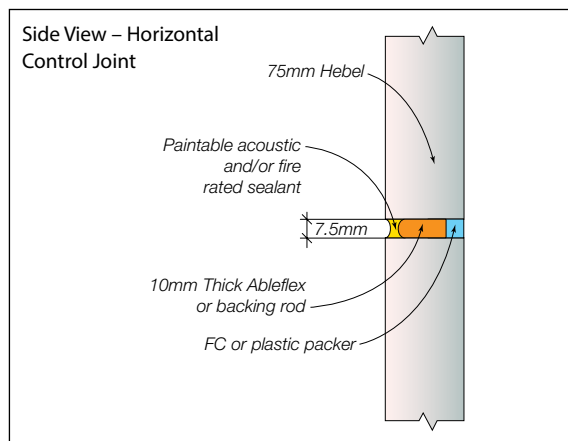
In order to reduce the load of the upper storey PowerPanel<sup>XL</sup> panels and make installation easier, the lower storey PowerPanel<sup>XL</sup> panels should be specified as 2700mm/3000mm in length and the upper storey PowerPanel<sup>XL</sup> panels as 2400mm in length. The vertical dimensions can be adjusted to suit.

### Structural Framing Design for Two Storey Construction

The use of Hebel PowerPanel<sup>XL</sup> panels in two-storey construction involves a number of design considerations that require attention. In conjunction with the following, refer to the Construction Details on page 34 to 38 (inclusive).

Note: when PowerPanel<sup>XL</sup> panels are suspended from the stud frame the project engineer shall design the frame to support the weight of the panels.

Steel Joists or engineered timber joists ( $\leq 1\%$  shrinkage)  
 Note, lower storey panels are to bear on the slab edge.  
 However, consideration should be given to the sectional size of the lintels over openings on the lower storey. As the details reveal, only a dummy control joint (solid 6-10mm packers, backing rod and an external grade acoustic and/or fire rated paintable sealant joint) is required at the horizontal PowerPanel<sup>XL</sup> junction between the upper and lower panels. The panel support packer should consist of a durable material that will not degrade during the life of the structure.



Timber Frame Construction ( $> 1\%$  shrinkage joint).  
 Movements in the order of 25mm can occur in a two storey timber frame with a timber first floor. The fixing method used in the Hebel PowerPanel<sup>XL</sup> External Wall System does not allow for this extent of differential movement between the external skin and the timber frame.

The allowances for shrinkage of timber framing in BCA 2012 Vol. 2, by providing gaps between framing and masonry, should be adopted as a minimum.

It is therefore recommended that the upper storey PowerPanel<sup>XL</sup> panels be installed 35mm clear of the lower storey panels. During construction a temporary packer is used to separate the panels and is then removed after the panels have been fixed. An architectural trim (feature moulding) must be used to hide the horizontal control joint.

The impact of this construction is to load the lower storey frame with the weight of the upper storey panels. In effect,

an extra 44kg/m<sup>2</sup> (for the weight of the upper panels) is being added to the load already carried by the timber frame. The load approximates 1.05 kN/m (2.4m wall height).

To simplify the design implications of this extra load, it is recommended to add an extra 1.4m of tributary width for a 90kg/m<sup>2</sup> Tile Roof load (for 2.4m upper wall heights) for the design of the lower storey frame and timber lintels, when using AS1684. – cyclonic or non-cyclonic areas.

### Bracing of the Building

The walls of the dwelling should be braced using steel cross bracing wherever possible, to allow the fixing of the PowerPanel<sup>XL</sup> panels without the need for additional packing. Ply or sheet bracing should be used on the external wall, if the walls are too short for the steel cross bracing (Refer AS 1684 – cyclonic or non-cyclonic areas). In this case, the full length of the wall should be sheeted to prevent misalignment of the panels.

Alternatively, localised strips of the sheeting can be fixed to the intermediate studs, between the areas of full sheet bracing, to maintain the panel alignment. All fixing is only from the outside, except on boundary walls. The extent of the bracing should be determined by the frame designer or project engineer.

\*Note: Minimum screw embedment depth into timber frame must be 25mm

Table 1.9 – Comparative Wall Thicknesses (mm)

Wall System	Wall Element Width			Total Width
	Stud	Cavity	Masonry Leaf	
Brick Veneer	70	40	110	220
Hebel PowerPanel <sup>XL</sup>	70	24 – 35*	75	169 – 180*
Brick Veneer	90	40	110	240
Hebel PowerPanel <sup>XL</sup>	90	24 – 35*	75	189 – 200*

\* Note: Depending on Top Hat selection

# 1.3 Design & Detailing Considerations

## Building Setout

The Hebel PowerPanel<sup>XL</sup> External Wall System is principally designed for modular construction. The full benefit of savings in time and cost will be fully realised when the construction is designed to suit a 300mm module. In principle, thoughtful setout on the drawing board will minimise the site-cutting of the panels, which is time consuming and wasteful, as compared to the installation of stock PowerPanel<sup>XL</sup> panels.

### External Wall Height

Typically the external wall height is the distance from the base of the slab step down up to 50mm above the height of the eaves lining.

Window and door heights should also be considered when determining panel layout. Typically a 300mm distance below or above door or window heights is desirable.

### Wall Length (Horizontal Dimensions)

Although not as critical as the wall height, the wall length designed to 300mm dimensions will help reduce waste.

## Termites

It is the builder's responsibility to ensure that all council and Australian code requirements are fully adhered to in regard to the design of the house for preventing termite attack. The construction details contained in this guide do not attempt to fully address the issues, due to the variation of requirements from state to state. Hebel PowerPanel<sup>XL</sup> is ideally suited to the exposed edge method of perimeter protection. BCA 2012 Vol. 2 Part 3.1.3 deals with termite risk management and the reference code is AS3660.

## Footings

Footings for Hebel PowerPanel<sup>XL</sup> should comply with conventional masonry veneer construction as specified in Australian Standard AS 2870. This is a minimum requirement. Local engineering advice should always be sought, especially in areas of highly reactive ground conditions.

## Movement Control Joints

During the life cycle of a building, the building and the materials that it is constructed from will move. These movements are due to many factors working together or individually, such as support structure movement (lateral sway or vertical deflection), thermal expansion and contraction and differential movements between materials. This movement, unless relieved or accommodated for, will induce stress in the materials, which may be relieved in the form of cracking. To accommodate these movements and relieve any induced stresses, which could potentially crack the wall, movement joints need to be installed.

- Control Joints are provided to relieve the induced stresses resulting from thermal expansion or contraction of the AAC, or differential movement between the AAC and another material or structure, such as abutting walls or columns of concrete or brickwork. Control joints can delineate coating shrinkage breaks.

Vertical control joints should coincide with control joints in the supporting structure and anywhere that significant structural movement is expected, where the wall abuts a vertical structure, such as an existing building, or adjacent to large openings.

Refer to Control Joint Rules page 45.

This design guide proposes minimum widths for the movement joints. The project engineer shall determine if the joints are sufficient to accommodate the movement of the specific project building. Typically, the vertical joint is nominally 5-10mm wide and filled with an appropriate backing rod and flexible sealant.

**IMPORTANT:** At all control joints, the Top Hat should be discontinuous to allow for the effective movement of the building at these locations.

A horizontal control joint is required beneath slabs or angles to accommodate any expected deflection. The magnitude of the deflection must be verified by the building designer. Typically, the horizontal joint is nominally 10mm – 20mm wide and filled with an appropriate external grade acoustic and/or fire rated paintable sealant.



## Condensation

Condensation is a complex problem, and can occur under a variety of conditions, not just cold conditions. Literature on this subject is available from CSIRO/BRANZ/ASHRAE and must be consulted when building in areas where condensation is likely to occur.

In these cases, the appropriate use of a sarking as a vapor barrier or as thermal insulation, or both, can be effective in controlling condensation.

## Penetrations

Small service penetrations through the panel should allow for differential movement between the panel and the service. All penetrations are a potential source for water ingress and should be sealed with an appropriate acoustic and/or fire rated paintable sealant.

## Windows

The builder should also ensure that the reveal size is correct to suit PowerPanel<sup>XL</sup>. Refer to Table 1.10 (opposite) for recommendations.

The sizes below typically apply to aluminium framed windows. If timber windows are being used similar tolerances and guidelines apply.

Table 1.10

Stud Size 70mm	
Top Hat size	Reveal size**
24mm	100mm*
35mm	115mm
Stud Size 90mm	
Top Hat size	Reveal size**
24mm	120mm
35mm	135mm

\*Reveal sizes may vary from one manufacturer to another.

\*\*Figures shown assume Brace board is used on Framework.

NOTE: The external sealant in the control joints adjacent to windows should be extended to the inside face of the wall, beyond the sealant line of the windows. No gap should exist between both sealants. This sealant configuration is recommended at similar detailing issues.






An example of a home built with Hebel. Photo courtesy of Metricon

# 1.4 System Components

The PowerPanel<sup>XL</sup> External Wall System is a complete system and Hebel stocks many of the products and materials required for your convenience.

Product	Description	Supplied by CSR Hebel																									
<p>Hebel PowerPanel<sup>XL</sup> – now 20% lighter</p>	<p>The core component of the Hebel PowerPanel<sup>XL</sup> External Wall System is the 75mm thick Hebel PowerPanel<sup>XL</sup> panel. The panel is manufactured in a range of stock sizes as detailed below:</p> <table border="1"> <thead> <tr> <th colspan="3">Panel Weight (kg)</th> </tr> <tr> <th>Length (mm)</th> <th>450</th> <th>600</th> </tr> </thead> <tbody> <tr> <td>1200</td> <td>-</td> <td>31</td> </tr> <tr> <td>1800</td> <td>-</td> <td>47</td> </tr> <tr> <td>2400</td> <td>47</td> <td>63</td> </tr> <tr> <td>2550</td> <td>-</td> <td>67</td> </tr> <tr> <td>2700</td> <td>53</td> <td>71</td> </tr> <tr> <td>3000</td> <td>58</td> <td>78</td> </tr> </tbody> </table>	Panel Weight (kg)			Length (mm)	450	600	1200	-	31	1800	-	47	2400	47	63	2550	-	67	2700	53	71	3000	58	78	✓	
Panel Weight (kg)																											
Length (mm)	450	600																									
1200	-	31																									
1800	-	47																									
2400	47	63																									
2550	-	67																									
2700	53	71																									
3000	58	78																									
Top Hat	<p>The Top Hats are used to fix the Hebel PowerPanel<sup>XL</sup> panel to the structural support framing. There are two nominal widths available: 24mm and 35mm – incorporating perforated flanges for ease of installation onto external wall frame.</p>	✓																									
Fasteners & Fixings	<p>Fixing of Top Hat to timber stud frame; 12-11x35mm Hex Head Type 17 screw</p>	✓																									
	<p>Fixing of Top Hat to steel framing; 10-16x16mm Hex Head Tek screws</p>	✓																									
	<p>Fixing of Hebel PowerPanel<sup>XL</sup> panels to Top Hat from inside of buildings 14-10x65mm Hex Head Type 17 Screw (Boundary walls only). Refer to Table 1.8</p>	✓																									
	<p>Fixing of Hebel PowerPanel<sup>XL</sup> panels to Top Hat 14-10x90mm Hex Head Type 17 Screw</p>	✓																									

Note: CSR has engineered and tested the PowerPanel<sup>XL</sup> External Wall System to comply with the Building Code of Australia and relevant Australian Standards. It cannot guarantee products and accessories not specified by CSR will perform to these standards. The Product Guarantee will only apply if all components used in the system are specified by CSR.

Product	Description	Supplied by CSR Hebel	
Hebel Mortar	Hebel Mortar (supplied in 20kg bags) when required is used as a thick bed mortar base to provide a level base for PowerPanel <sup>XL</sup> installation as well as providing acoustic and fire protection at the base of the panels.	✓	
Hebel Adhesive	Hebel Adhesive (supplied in 20kg bags) is used for gluing the PowerPanel <sup>XL</sup> panels together at vertical and horizontal joints.	✓	
Hebel Patch	Minor Chips or damage to PowerPanel <sup>XL</sup> panels are to be repaired using Hebel Patch (supplied in 10kg bags).	✓	
Hebel Anti-Corrosion Protection Paint	To coat exposed reinforcement during cutting	✓	
Hebel HighBuild Render	Used to create a level base for an approved acrylic texture system (20 kg bag)	✓	
Hebel PowerBase & PowerFinish	Designed for 2-3mm and 1-2mm applications to PowerPanel <sup>XL</sup> installed true and flush. Total acrylic system providing maximum flexibility. 2 coat integrated system		



## 2.1 Durability

### Overview

Durability means the capability of a building or its parts to perform a function over a specified period of time. It is not an inherent property of a material or component. It is the outcome of complex interactions among a number of factors, including:

- The service conditions
- Material characteristics
- Design and detailing
- Workmanship
- Maintenance

(‘ABCB Guideline Document – Durability in buildings: 2003’)

The following sub-sections of the durability topic are written in order to provide general guidelines in how best to provide, enhance and maintain adequate durability of Hebel PowerPanel<sup>XL</sup> panels.

### Maintenance & Enhancement of Durability

The durability of the Hebel PowerPanel<sup>XL</sup> External Wall System can be enhanced by periodic inspection and maintenance. Inspections should include examination of the coatings, flashings and sealants. Paint finishes must be maintained in accordance with the manufacturer’s recommendations. Any cracked and damaged finish or sealants, which would allow water ingress, must be repaired immediately by recoating or resealing the effected area. Any damaged flashings or panels must be replaced as for new work.

The durability of the system can also be increased by using Class 4 fixings throughout, additional treatment of steelwork, and by painting all exposed sealants to the sealant manufacturer’s recommendations.

### Coastal Areas

Hebel PowerPanel<sup>XL</sup> panels can be used in coastal areas with additional precautions to ensure salt does not build up on the surface of the wall. For buildings, which are 200m to 1000m from a shoreline or large expanse of salt water, such as, Swan River (west of the Narrows Bridge), Sydney Harbour (east of the Harbour Bridge or Spit Bridge), one of the following is required:

- All horizontal and vertical movement joints must be appropriately caulked; or
- All walls must be sufficiently exposed from above so that rain can perform natural wash-down of the wall; or
- Walls, which are protected by soffits above, must be washed down twice per year, to remove salt and debris build-up, particularly at the joints.
- In all cases, Class 4 or stainless steel screws must be used.
- For buildings less than 200m from the shoreline, as defined above, Hebel does not recommend that the Hebel PowerPanel<sup>XL</sup> External Wall System be used without project specific consultation with Hebel Technical Services.

### Hebel PowerPanel<sup>XL</sup>

Hebel PowerPanel<sup>XL</sup> has many characteristics which make it a very durable product, including:

- Will not rot or burn.
- Is not a food source for termites.
- Unaffected by sunlight.
- Not adversely affected over normal temperature ranges.
- One quarter the weight of conventional concrete.
- Solid and strong with corrosion protection coated steel reinforcement.

### Durability of Components

It is the responsibility of the building designer to ensure that the components, such as screws, Top Hat battens and other steel components, have the appropriate corrosion protection to be able to maintain their strength and integrity to suit the required design life of the project.

**IMPORTANT:** Termite treated timber frames (such as LOSP treated frames) may require sarking to prevent corrosion of steel components. Please refer to frame manufacturer for compatibility. CCA treated pine frames have a deleterious effect on the Top Hat coatings, which can lead to corrosion. Where timber is CCA treated, provide a barrier between Top Hat and timber member. Refer to frame manufacture for compliance with the frames compatibility with steel Top Hats and screw fixings.

When assessing durability the following documents can be referred to for guidance:

- ABCB Guideline Document – Durability in buildings: 2003.
- AS/NZS 2312: 2002 – Guide to the protection of structural steel against atmospheric corrosion by the use of protective coatings.
- ISO 9223: 1992 – Corrosion of metals and alloys – Corrosivity of atmospheres – Classification.
- AS3566: 2002 – Self drilling screws for the building and construction industries.
- AS2331 Series.

Reference to AS3566 should always be adhered to when selecting the screws corrosion resistance classification.

## Wall Frames

### Steel Frames

The designer needs to ensure that the steelwork and Hebel AAC products have adequate protective systems to ensure that durability is maintained. The durability of the stud frame can be enhanced by the provision of a membrane, such as sarking. The manufacturer of the steel stud frame can provide guidance on the appropriateness of this solution on a project-by-project basis.

**IMPORTANT:** The steel frame requirements outlined in the BCA Vol. 2, Part 3.4.2 should be considered in conjunction with steel frame design and construction advice from the steel frame manufacturer. These requirements consist of minimum protective surface coatings with restrictions on the location of the building and exposure condition of the steel frame.

### Timber Frames

Information on the durability design of timber structures and components can be obtained from documents such as:

- AS 1720.1 Timber Structures, Part 1: Design Methods.
- AS 1684 Timber Framing Code.
- State timber framing manuals.
- AS 3660 Subterranean Termites.



An example of a home built with Hebel. Photo courtesy of Metricon

## 2.2 Fire Resistance Performance

### Overview

The Hebel PowerPanel<sup>XL</sup> External Wall System can be subjected to a fire loading as the result of either an external fire source, or an internal fire source. When the wall requires a fire resistance level (FRL) rating, Hebel provides the following guidance.

#### External Fire Source

For an external fire source, the excellent fire resistance qualities of the Hebel PowerPanel<sup>XL</sup> External Wall protects the structural support framing, and provides a high fire resistance level.

NOTE: The FRL rating of the wall can be affected by the penetrations and the method adopted to protect these penetrations. A fire collar with a –/60/60 FRL rating will govern the FRL of the wall, even if the wall configuration has a FRL rating of –/90/90. Where required, the performance of the external coating when subjected to a fire loading shall meet the appropriate performance requirements outlined in the BCA. Joints & gaps need to be appropriately fire rated. Eg. vertical control joint will need fire rated sealant & horizontal joints must be blocked with compressible fire rated material.

#### Fire Certificates & Reports

Copies of the test reports and/or opinions can be obtained by contacting Hebel Technical Services. The Hebel PowerPanel<sup>XL</sup> External Wall System achieves a FRL of 180/180/180.

#### Internal Fire Source

For an internal fire source, the studs must be protected by the internal wall linings. Refer to CSR Gyprock Red Book™ for specifications.

#### External Walls in Fire – BCA Provisions

Where necessary, the designer and builder should ensure the structural support framing, its connections and the Hebel PowerPanel<sup>XL</sup> installation are satisfactory when subjected to fire conditions. The BCA Vol 2 (Part 3.7.1) outlines provisions for external walls for fire resistance in a residential building where the external wall is less than 900mm from an allotment boundary or 1.8m from another building on the same allotment. If this occurs an FRL of not less than 60/60/60 is required from the outside.

### Fire Performance of Hebel PowerPanel<sup>XL</sup>

The Hebel PowerPanel<sup>XL</sup> External Wall System has been assessed by CSIRO to achieve a Fire Resistance Level (FRL) of 180/180/180. Note, the fire source is considered on the PowerPanel<sup>XL</sup> side. This enables Hebel PowerPanel<sup>XL</sup> to be used in the following applications:

- Walls on zero line allotment blocks.
- Multi-storey residential dwellings – external walls.

NOTE: In the above applications, each PowerPanel<sup>XL</sup> panel should be screwed as specified in this guide, except a minimum of three screws should be installed through the middle Top Hat into each PowerPanel<sup>XL</sup> panel.

### Design Considerations

#### Fire Stop Penetrations

Penetrations through Hebel PowerPanel<sup>XL</sup> to accommodate pipework, electrical cabling or ductwork will have to be protected (fire stop), to prevent the spread of fire through the penetration. The penetration can be protected with proprietary products, such as:

- Fire rated sealants.
- Fire collars and intumescent wraps.
- Fire rated mortars.
- Fire rated pillows.
- Fire rated switch boxes.

Hebel recommends contacting the manufacturer to obtain the appropriate product/solution and installation method for the application and wall configuration.

# 2.3 Energy Efficiency

## Building Code of Australia (BCA)

The BCA is available in two volumes which align with two groups of 'Class of Building':

- Volume 1 – Class 2 to Class 9 Buildings; and
- Volume 2 – Class 1 & Class 10 Buildings – Housing Provisions.

Each volume presents the Performance Requirements for the efficient use of energy for internal heating and cooling in buildings. The majority of changes have been associated with the Housing Provisions.

The Performance Requirements for energy efficiency ratings are dependent upon the form of construction (i.e. walls or floors), Class of Building, and the type of areas being separated. The performance requirement is a value that is the Total R-Value, which is the cumulative total of the individual R-Values of the building system components.

## The Hebel PowerPanel<sup>XL</sup> External Wall System

One of the primary design objectives in planning a building is to provide a cost effective comfortable living/ working environment for the building's inhabitants. Exploiting the inherent thermal mass and insulation qualities of Hebel enables the designer to achieve this objective.

Several international comparative studies have been conducted to investigate the benefits of incorporating AAC walls in place of conventional wall systems.

A common trend was the lower heating and cooling energy consumption and smaller mechanical equipment required to maintain a comfortable living environment, especially with regards to regions of mainly cold weather. The excellent performance was the result of the three characteristics – thermal mass, thermal insulation, and the air tightness of the construction.

The level of insulation provided in a wall is determined by the required Total R-Value. The higher the required Total R-Value the greater the insulation provided. Hebel PowerPanel<sup>XL</sup> External Wall System incorporating CSR Bradford insulation can provide the R-Value ratings outlined in Table 2.7.

## Thermal Insulation

It is recommended that insulation materials be installed to enhance thermal insulation properties and occupant comfort. Insulation also improves the acoustic performance of the wall against outside noise.

The BCA provides Deemed-to-Satisfy Provisions for compliance and installation of the various types of insulation. The insulation should be installed with Hebel PowerPanel<sup>XL</sup> such that it forms a continuous barrier to contribute to the thermal barrier. All insulation installed in Hebel PowerPanel<sup>XL</sup> External Wall Systems must comply with: AS/NZS4859.1; or AS2464.3 for loose fill insulation.

## Air Tightness

As outlined in Section 8.1, the thermal performance can be influenced by many factors. Most of these are related to the design decisions and properties of the adopted materials. Construction practices can also significantly affect the performance with poor sealing, resulting in drafts. The tight construction tolerances of AAC provide a wall with low air infiltration rate. Testing at the CSIRO (Test Report DTM327) on Hebel blockwork with thin bed adhesive joints has determined an air infiltration rate of 0.3L/s (0.014% of internal volume). For PowerPanel<sup>XL</sup> panels having fewer thin bed adhesive joints, a rate less than this could be achieved.

## Sarking

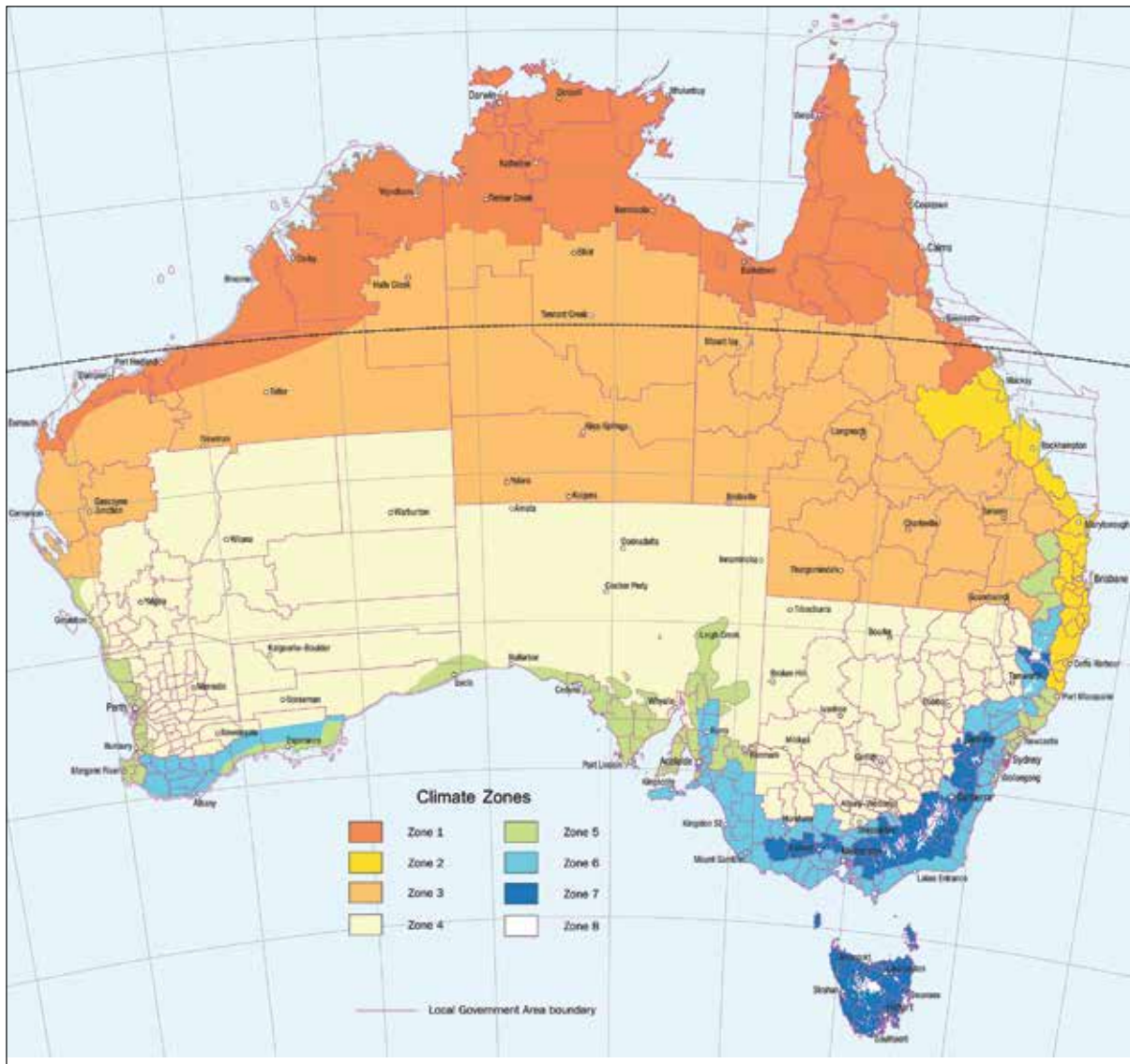
As well as controlling condensation and acting as an air barrier, a sarking can be used to significantly improve the thermal insulation and energy efficiency performance of a building solution. Sarking layers can alter the performance of the cavity by providing a reflection side. The design of the sarking arrangement is complex and should be performed by the appropriate project consultant.

Where the sarking layer provides a weatherproofing function, the sarking material must comply with AS/NZS4200 Parts 1 and 2.



Table 2.4 – Energy Efficiency

The following tables show the performance levels required for walls and floors under the BCA and the thermal performance of the Hebel PowerPanelXL External Wall system.



STEP 1. Determine which climate zone your project is located in Australia from the map.

STEP 2. From the table, determine the design conditions ('Summer' heat flow in or 'Winter' heat flow out) according to the building class and climate zone for your project. Note: Building classes are defined by the BCA.

STEP 3. Refer to the roof, wall or floor system applicable to your construction type to determine Total R-Value.

Note: Some applications may achieve Total R-Values sufficient to comply with the minimum performance levels of the deemed to satisfy requirements contained in the Energy Efficiency Provision of the BCA

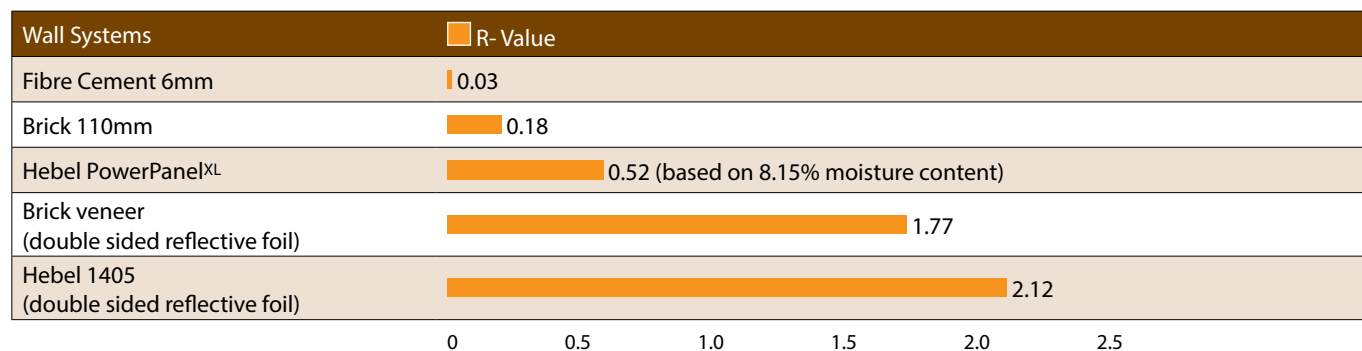
Climate Zone	1	2	3	4	5	6	7	8
	Below 300metres		Above 300metres					
Class 1-10,2,3,4,9c	Summer		Winter					
Class 5,6,7,8,9a,9b	Summer						Winter	
Class 1-10	Summer		Winter					
Class 2,3,4,5,6,7,8,9a,9b,9c	Summer			Winter				



Table 2.5 – Low-Rise Multi-Residential Buildings

Climate Zone	Options		
1, 2,3,4 and 5	(a)	(i)	Achieve a minimum Total R-Value of 2.8.
	(b)	(i)	Achieve a minimum Total R-Value of 2.4; and
(ii)		Shade the external wall of the storey with a verandah, balcony, eaves, carport or the like, which projects at a minimum angle of 15 degrees in accordance with Figure 3.12.1.2. of BCA 2012	
6 and 7	Achieve a minimum Total R-Value of 2.8.		
8	Achieve a minimum Total R-Value of 3.8.		

Table 2.6 – Comparison of Thermal Properties



Note:

- Sarking or insulation to be added to the above values where applicable to comply with BCA climate zone requirements.
- R-Values above (excluding Hebel PowerPanel<sup>XL</sup> solution) are taken from BCA 2012.
- Refer to Table 2.7 (page 23) for Hebel PowerPanel<sup>XL</sup> configuration and thermal insulation options.
- R-Values provided for brick veneer have been provided by James Fricker calculation 107.50 dated July, 2010.

Table 2.7 – Hebel PowerPanel<sup>XL</sup> Energy Efficiency

Code	Description	Total R, m <sup>2</sup> .K/W	
		Winter	Summer
Hebel 1400	Hebel Houses & Low Rise External Wall PowerPanel <sup>XL</sup> Single Foil, 70mm Stud 24mm Cavity	R1.74	R1.62
Hebel 1401	Hebel Houses & Low Rise External Wall PowerPanel <sup>XL</sup> Single Foil, 90mm Stud 24mm Cavity	R1.78	R1.63
Hebel 1402	Hebel Houses & Low Rise External Wall PowerPanel <sup>XL</sup> Single Foil + R2.0 Batt, 70mm Stud 24mm Cavity	R2.87	R2.69
Hebel 1403	Hebel Houses & Low Rise External Wall PowerPanel <sup>XL</sup> Single Foil + R2.0 Batt, 90mm Stud 24mm Cavity	R3.16	R2.95
Hebel 1404	Hebel Houses & Low Rise External Wall PowerPanel <sup>XL</sup> Double Foil, 70mm Stud 24mm Cavity	R2.16	R1.99
Hebel 1405	Hebel Houses & Low Rise External Wall PowerPanel <sup>XL</sup> Double Foil, 90mm Stud 24mm Cavity	R2.21	R2.01
Hebel 1406	Hebel Houses & Low Rise External Wall PowerPanel <sup>XL</sup> Double Foil + R2.0 Batt, 70mm Stud 24mm Cavity	R3.26	R3.04
Hebel 1407	Hebel Houses & Low Rise External Wall PowerPanel <sup>XL</sup> Double Foil + R2.0 Batt 90mm Stud 24mm Cavity	R3.55	R3.31
Hebel 1408	Hebel Houses & Low Rise External Wall PowerPanel <sup>XL</sup> Single Foil, 70mm Stud 35mm Cavity	R1.75	R1.63
Hebel 1409	Hebel Houses & Low Rise External Wall PowerPanel <sup>XL</sup> Single Foil, 90mm Stud 35mm Cavity	R1.80	R1.64
Hebel 1410	Hebel Houses & Low Rise External Wall PowerPanel <sup>XL</sup> Single Foil + R2.0 Batt, 70mm Stud 35mm Cavity	R2.89	R2.70
Hebel 1411	Hebel Houses & Low Rise External Wall PowerPanel <sup>XL</sup> Single Foil + R2.0 Batt, 90mm Stud 35mm Cavity	R3.18	R2.96
Hebel 1412	Hebel Houses & Low Rise External Wall PowerPanel <sup>XL</sup> Double Foil, 70mm Stud 35mm Cavity	R2.22	R2.02
Hebel 1413	Hebel Houses & Low Rise External Wall PowerPanel <sup>XL</sup> Double Foil, 90mm Stud 35mm Cavity	R2.27	R2.05
Hebel 1414	Hebel Houses & Low Rise External Wall PowerPanel <sup>XL</sup> Double Foil + R2.0 Batt, 70mm Stud 35mm Cavity	R3.33	R3.09
Hebel 1415	Hebel Houses & Low Rise External Wall PowerPanel <sup>XL</sup> Double Foil + R2.0 Batt 90mm Stud 35mm Cavity	R3.62	R3.36
NOTES	Single Foil = Single sided reflective foil Double Foil = Double sided reflective foil		

## Notes:

- Refer to BCA for state & territory variations.
- Refer to BCA for alternative means of satisfying the required performance levels.
- Refer to CSR Bradford product literature for design & installation requirements for the nominated reflective foil laminates and insulation
- Stated R-values in Tables 2.6 and 2.7 have been provided by J. Fricker calculations 107W31-107W343

# 2.4 Sound Transmission & Insulation

## Overview

### Current BCA Sound Transmission and Insulation Requirements

The Hebel PowerPanel<sup>XL</sup> External Wall System is primarily used in buildings that have a domestic type of activity purpose. The BCA generally classifies these buildings into class 1 or 10. The acoustic performance requirements for external walls in these buildings or their building elements are not currently stated in the BCA. If a building using the Hebel PowerPanel<sup>XL</sup> External Wall System was required to provide acoustic performance, then the performance level requirements for a building envelope and elements would be set by the relevant authorities (i.e. Local Councils, client specific requirements and etc).

### Design Recommendations

Acoustic design is a complex science, and there will be instances where a specialist acoustic consultant is required.

For walls requiring acoustic performance

Hebel recommends:

1. Engaging a reputable acoustic consultant on a project-by-project basis to provide design advice and installation inspections.
2. When selecting the appropriate components for the Hebel PowerPanel<sup>XL</sup> External Wall System, the designer or specifier must be aware that the laboratory  $R_w$  values are almost always higher than the field measured values. Therefore, allowances should be made for the lower expected field values during the selection of the system.
3. Separate advice from a specialist acoustic consultant should be sought to determine the effect on acoustic performance due to any changes to the Hebel PowerPanel<sup>XL</sup> External Wall System, and any required modification of the installation details pertaining to the systems.
4. Increasing cavity widths, using higher density or thicker insulation or plasterboard, will generally maintain or increase the acoustic performance of the Hebel PowerPanel<sup>XL</sup> External Wall System.

Table 2.8

PowerPanel <sup>XL</sup> – External Wall Construction			
Wall System	Description	$R_w$	$R_w + C_{tr}$
PowerPanel <sup>XL</sup> Configuration 1	10mm plasterboard 90mm timber stud R1.5 Bradford Glassswool Batts 35mm top hat 75mm PowerPanel <sup>XL</sup>	46	39
PowerPanel <sup>XL</sup> Configuration 2	10mm plasterboard 90mm timber stud Bradford Enviroseal (single side reflective foil) 35mm top hat 75mm PowerPanel <sup>XL</sup>	41	35
PowerPanel <sup>XL</sup> Configuration 3	10mm plasterboard 90mm timber stud R1.5 Bradford Glassswool Batts Bradford Enviroseal (single side reflective foil) 35mm top hat 75mm PowerPanel <sup>XL</sup>	46	39

## 2.5 Coating Requirements

Hebel PowerPanel<sup>XL</sup> panels require an appropriate external coating system and sealant detailing to ensure a water resistant and vapor permeable building envelope is achieved.

Generally, the external face of the Hebel PowerPanel<sup>XL</sup> panel is coated with a high build acrylic levelling and finishing system incorporating a water resistant flexible 'elastomeric membrane' top coat, in accordance with the recommendations of the coating manufacturer.

Hebel has worked closely with Dulux AcraTex to develop a range of performance warranted coating systems for all Hebel systems.

### Performance Requirements

The following are items to be considered when selecting a coating system:

#### Manufacturer approved:

- Hebel recommends in all cases the preferred use of Dulux AcraTex coatings systems defined within this document.
- NB: Where other manufacturer's coating systems are applied to Hebel external walls these coatings systems must be warranted by the coating manufacturer as appropriate for coating an AAC substrate. As a minimum, alternate manufacturers must verify and warrant coating system conformance to the properties defined below.

#### Surface adhesion:

- The substrate preparation and coating application should be in accordance with the coating manufacturer's specification.
- Before applying finishes in coastal areas (refer to definition), all PowerPanel<sup>XL</sup> panels must be thoroughly washed with fresh water to remove any salt residue. Refer to coating manufacturer for additional requirements.

#### Water resistance:

- The primary objective of the coating system is to prevent water ingress through it, yet allow vapor in and out of the AAC substrate.

- Proven water resistance capability: Transmission: <math>< 10 \text{ grams/m}^2/24\text{hr}/1\text{kPa}</math>

#### Water Vapor Permeability:

- For a coating to allow the "escape" of water vapor, the coating must be vapor permeable.
- The coating system should comply with the following performance parameters:

$w \cdot s_d \leq 0.2 \text{ kg} / (\text{m}^2 \cdot \text{h}^{0.5})$  where,

- Coefficient of Water Absorption  
 $w \leq 0.5 \text{ kg}/(\text{m}^2 \cdot \text{h}^{0.5})$
- Equivalent Air Layer Thickness of Water Vapor Diffusion  $S_d \leq 2\text{m}$ .

#### Notes:

- A coefficient of water absorption ( $w \leq 0.5$ ) means that minimal dampness is absorbed regardless of the time factor.
- A coating with an ( $s_d \leq 2\text{m}$ ) has less resistance to water vapor diffusion (escape) than a static 2m thick air layer.

#### Compatibility:

- Ensure the coating system is compatible with the substrate and construction system components, ie:
  - Coatings may not adhere to silicone or other sealants and mastics.
  - Excessive joint adhesive or mortars smears across the panel face may require removal or specific primers.

#### Durability:

- The coating must be durable and not deteriorate with exposure to light (UV) and weather.

#### Elasticity:

- The coating must be able to bridge a 1mm minimum crack width.
- The coating manufacturer can specify the minimum design specification (thickness), so that the coating is serviceable and durable.

**IMPORTANT:** This list of performance requirements indicates that a specific fit-for-purpose coating system must be adopted, and that a simple paint coating would most likely be an inadequate coating system. Variations to the coating system must be approved and warranted by the coating system manufacturer or representative.

## Coating

Dulux AcraTex Hebel coatings have been specifically formulated and engineered to match the thermal and physical characteristics that are unique to Hebel AAC.

Easy to work with, Dulux AcraTex Hebel coatings are designed to help you achieve the perfect finish to any Hebel project, including the highly sought after smooth, monolithic look.

Given the variability of some coatings – not all are what they claim to be – customers can be confident that when they choose Dulux AcraTex Hebel coating systems they have been correctly formulated to a consistent, durable formulation backed by Dulux and Hebel. Hebel does not recommend cement based so called ‘acrylic prepacked’ renders or site mixed cement renders be applied to Hebel PowerPanel<sup>XL</sup>.

Dulux AcraTex Hebel coating systems have been formulated with unique acrylic polymer resins incorporating specially graded fillers and selected additives to enhance the application and workability of the mix, ensuring a consistent durable performance finishing system to the Hebel facade.

Dulux AcraTex Hebel coating systems have many advantages over traditional cement based site mixed or prepacked renders and coatings systems:

- Increased flexibility
- Improved adhesion to Hebel substrate
- Matches thermal properties of Hebel substrate
- Faster curing
- Improved crack joint resistance
- Peace of mind – warranted performance

Examples of suitable coating systems over PowerPanel<sup>XL</sup> panels include:

- Dulux AcraTex Hebel PowerBase™ & PowerFinish™
- Dulux AcraTex AcraPatch HighBuild Leveller™ & Dulux AcraTex Coventry™ or Tuscany™ texture coatings with Dulux® AcraSkin™ or AcraShield™ weatherproofing topcoat
- Dulux AcraTex AcraPatch HighBuild Leveller™ with Dulux® AcraSkin™ or AcraShield™ weatherproofing topcoat

# 2.6 Weatherproofing

## Sealants

All control joints must be sealed with a suitable external grade acoustic and/or fire rated paintable sealant. All gaps between the PowerPanel<sup>XL</sup> panels and framing around windows must be caulked with an appropriate external grade sealant.

The sealant should be installed in accordance with the sealant manufacturer's specifications.

## Wall Flashings

In general, flashings shall be designed and installed in accordance with SAA-HB39 1997 – Installation Code for Metal Roofing and Wall Cladding.

## Wall Wrap

For Hebel PowerPanel<sup>XL</sup>, wall wrap is only required for insulation and condensation control as well as a corrosion barrier over CCA treated timber frames. Although not a mandatory requirement, the installation of wall wrap is considered good building practice. Wall wrap must be designed and installed in accordance with AS/NZS4200 Part 1 – Materials, and Part 2 – Installation.



# 3.1 Hebel PowerPanel<sup>XL</sup> External Wall Installation Sequence

## 1. Frames and Trusses Complete



## 2. Install DPC

- Fix to bottom plate
- Cover rebate completely
- Overlap DPC at corners
- Install sarking as specified
- Refer to tables 1.3 and 1.6 on pages 9–10



## 3. Fix Top Hats

- Check number of Top Hats required
- Number of screws as per tables 1.4, 1.5 and 1.7 on pages 9-10
- Install Top Hats below and above openings
- Ensure Top Hats are discontinuous at Control Joints



## 4. Install Hebel PowerPanel<sup>XL</sup> Panels

- Corner PowerPanel<sup>XL</sup> installed first
- Number of screws as per tables 1.4, 1.5 and 1.7 on pages 9-10
- Hebel adhesive to vertical joints
- Site cutting to suit
- Coating of exposed reinforcement
- Check control joint layout
- Minimum panel width 270mm



## 5. Coating

- As per specification detail shown on page 25-26



# 3.2 Tools and equipment for construction

The basic tools required to assist in the installation of the PowerPanel<sup>XL</sup> External Wall System are shown in Figure 3.1. These may be purchased through a Hebel distributor and include:

1. Stirrer – fitted to the electric drill, the stirrer is used to mix the Hebel Mortar, Hebel Adhesive and base levelling coat render inside the mixing bucket.
2. Notched Trowel – the notched trowel is used to apply the Hebel Adhesive to the Hebel surfaces. The width of the trowel must match the panel thickness to ensure the adhesive is applied with full and even coverage.
3. Panel lifters – used to carry the panels around the work site.
4. Sand Float – used to remove excess Hebel Adhesive and smooth joints between panels.
5. Levelling Plane – used to even out inconsistencies in the Hebel panels

Extra equipment will also be required and includes the following:

- Power drill (clutch driven).
- Power saw with metal or diamond tipped cutting blades.
- Dust extraction system.
- Sockets for screws.
- Personal Protective Equipment (PPE) such as goggles, ear muffs/plugs and face mask, used when site cutting the PowerPanel<sup>XL</sup> panels.

Fig. 3.1 – Hebel Tools



# 3.3 Installation of Services

The installation of services in the building are the same as the methods currently being used throughout the industry.

Services should be installed through the frame to avoid interfering with Top Hat layout, but if they are to be fixed on the outside of the frame, they should only run horizontally parallel to the Top Hats – typically 300mm up from the bottom plate.



Fig. 3.2 – Installed Piping Services Prior to the Installation of Hebel PowerPanel<sup>XL</sup>

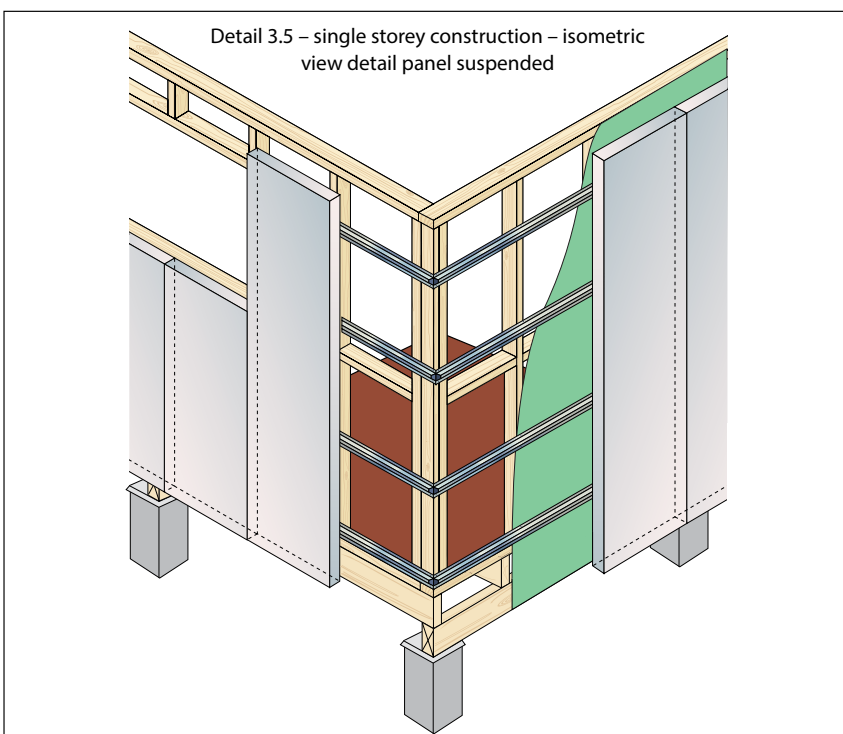
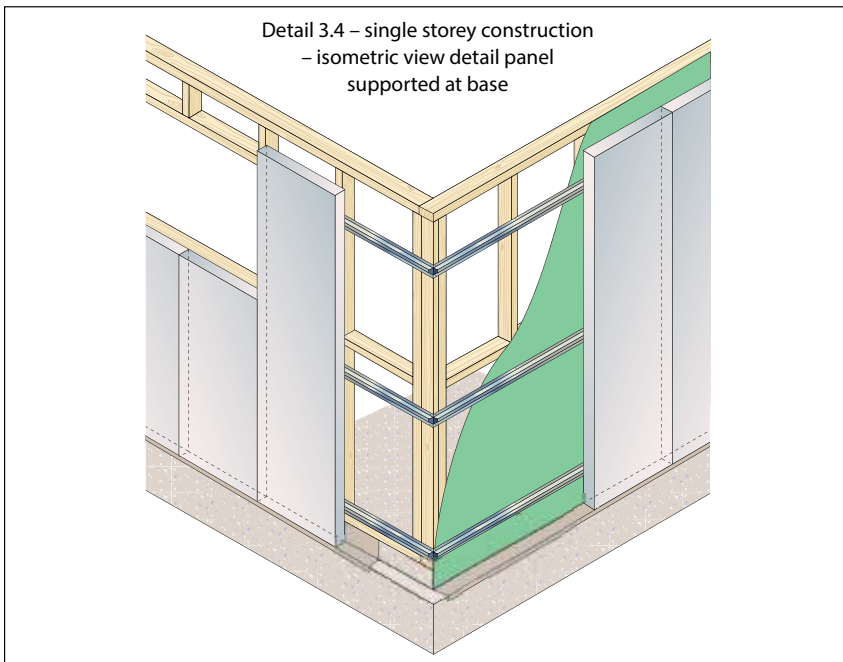
Penetrations through the PowerPanel<sup>XL</sup> panel for services should be neatly filled and the joint sealed with an external grade acoustic and/or fire rated paintable sealant.



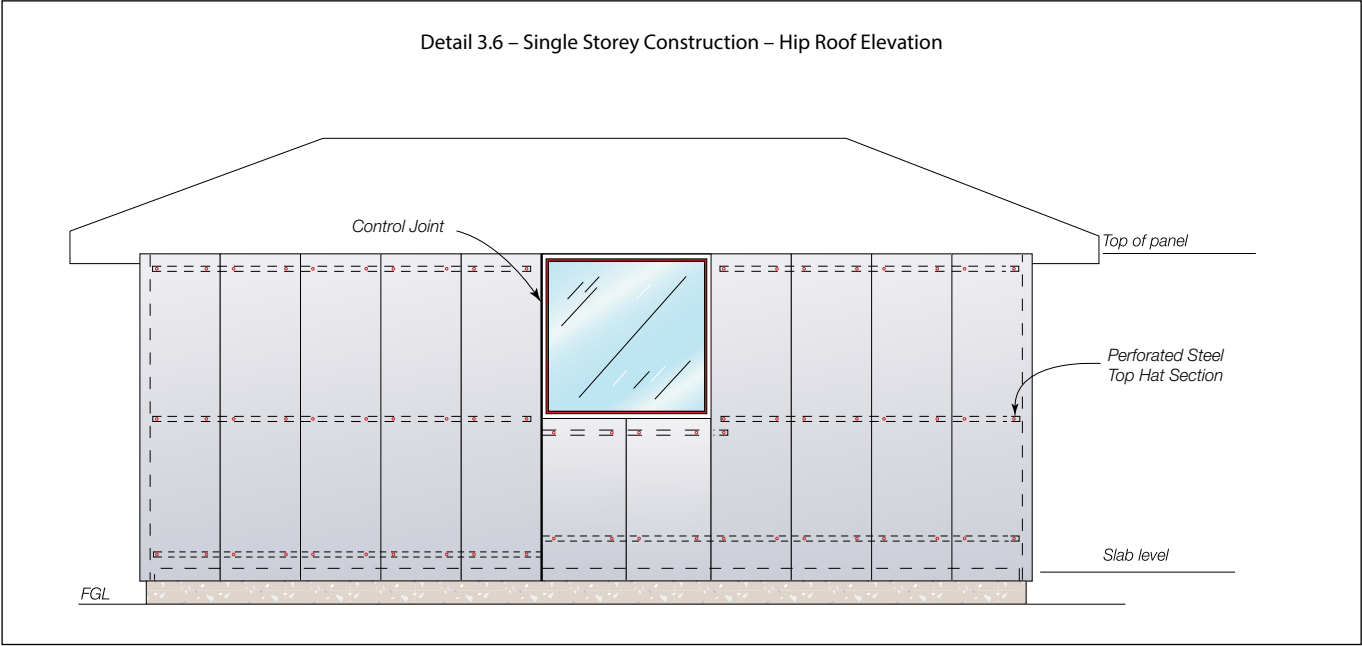
Fig. 3.3 – Neat Finishes of Installed Services

# 3.4 Construction Details - Installing the Hebel PowerPanel<sup>XL</sup> External Wall System

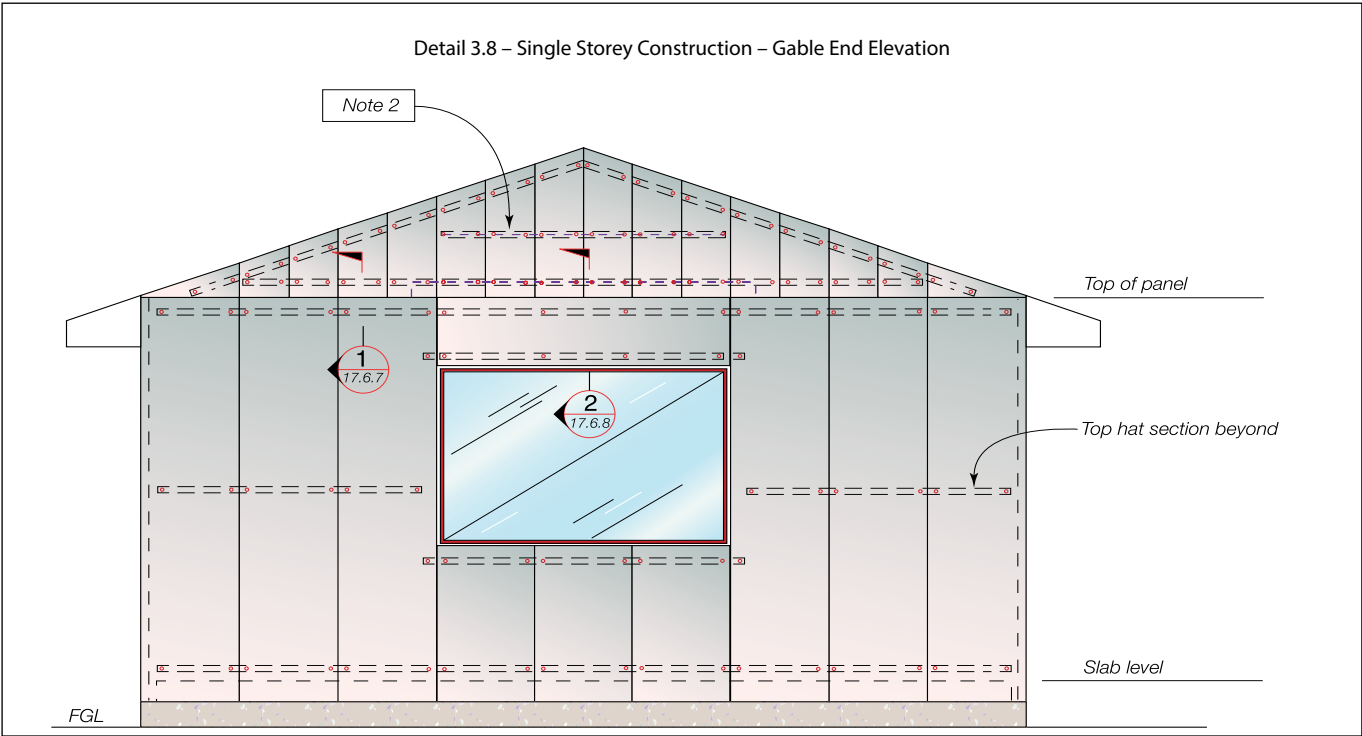
## Single Storey Construction Details



Detail 3.6 – Single Storey Construction – Hip Roof Elevation



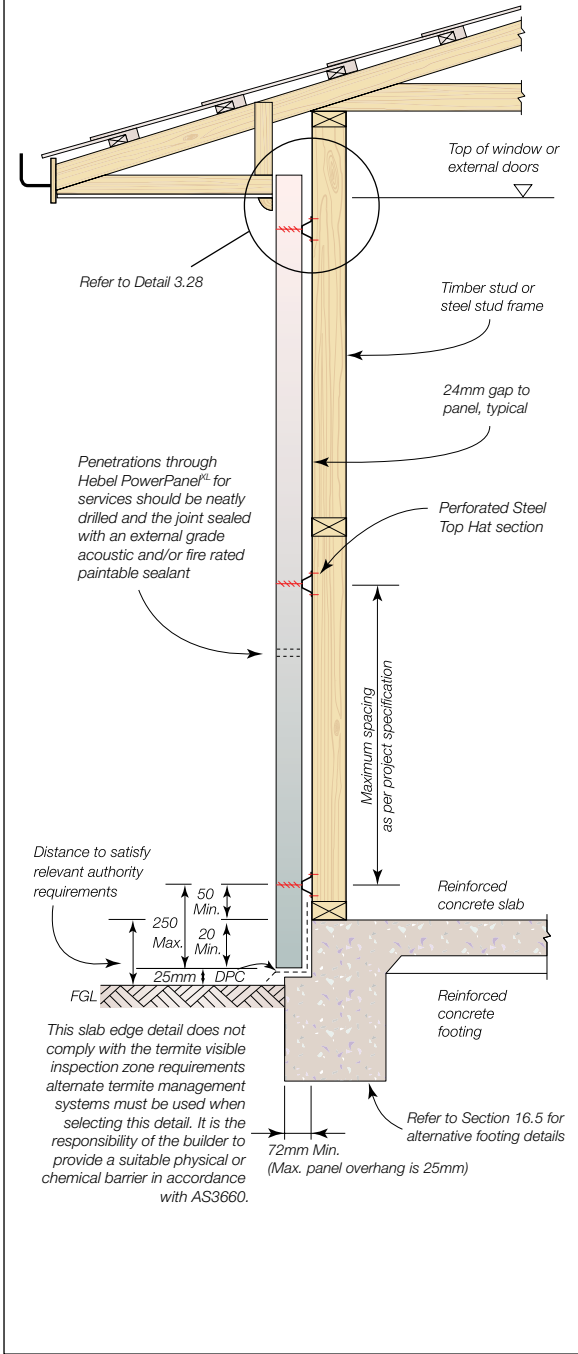
Detail 3.8 – Single Storey Construction – Gable End Elevation



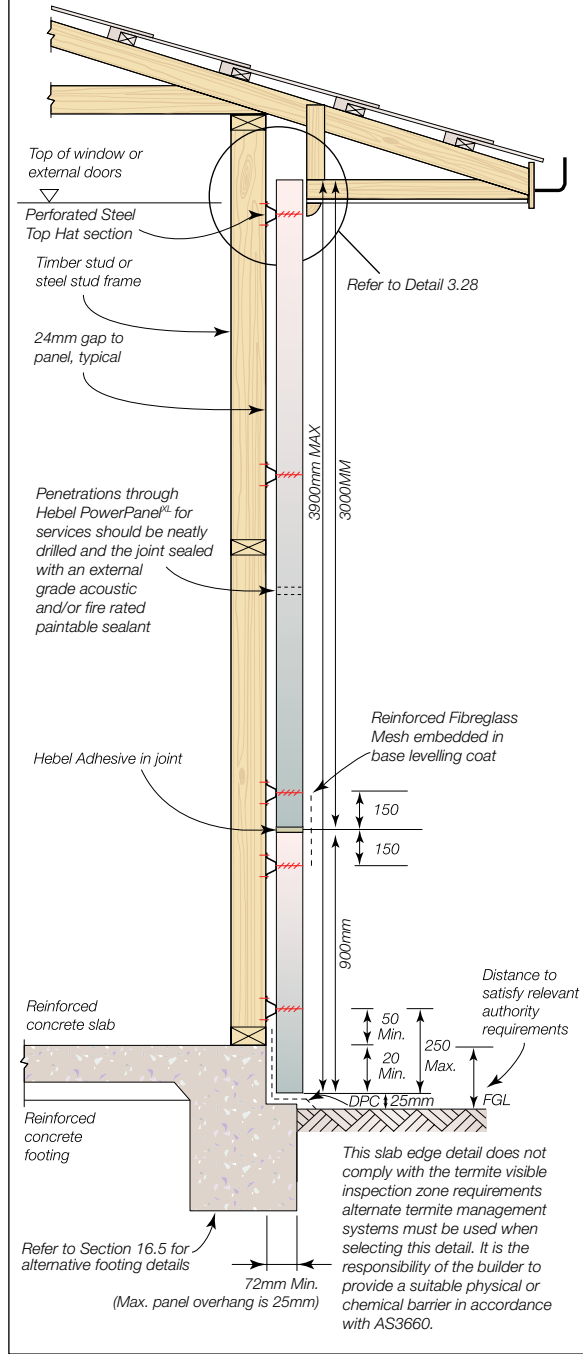
NOTE

- 1. Number of Top Hats and Top Hat spacing to be confirmed by the building designer.
- 2. Additional Top Hats may be required, for suspended panels. Refer to Table 1.6.
- 3. These details have not shown the set-out of Top Hats to accommodate control joint locations. This is the responsibility of the building designer.

Detail 3.9 – Single Storey Construction  
– Typical Section Detail



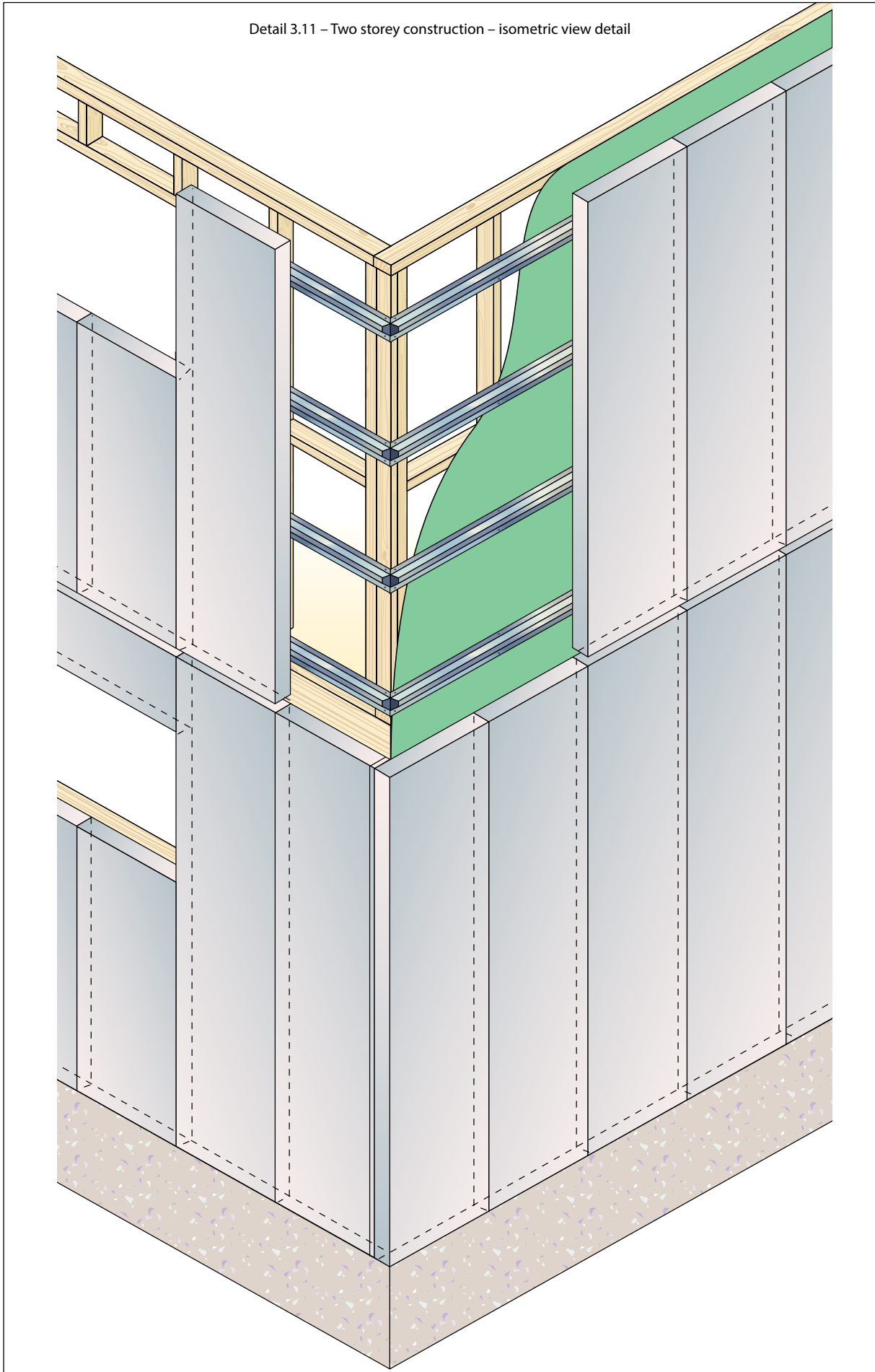
Detail 3.10 – Single storey construction – high wall  
section detail – (3900mm MAX)



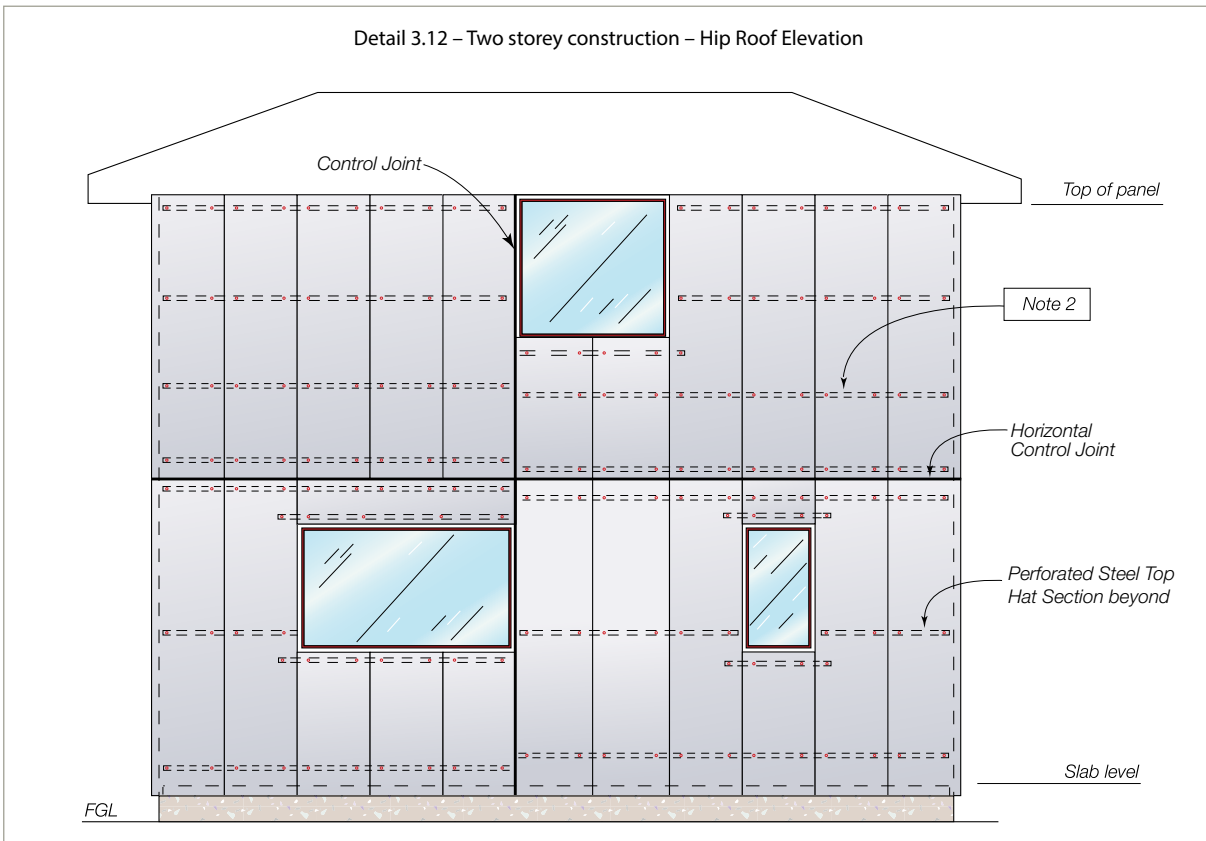


## Two Storey Construction

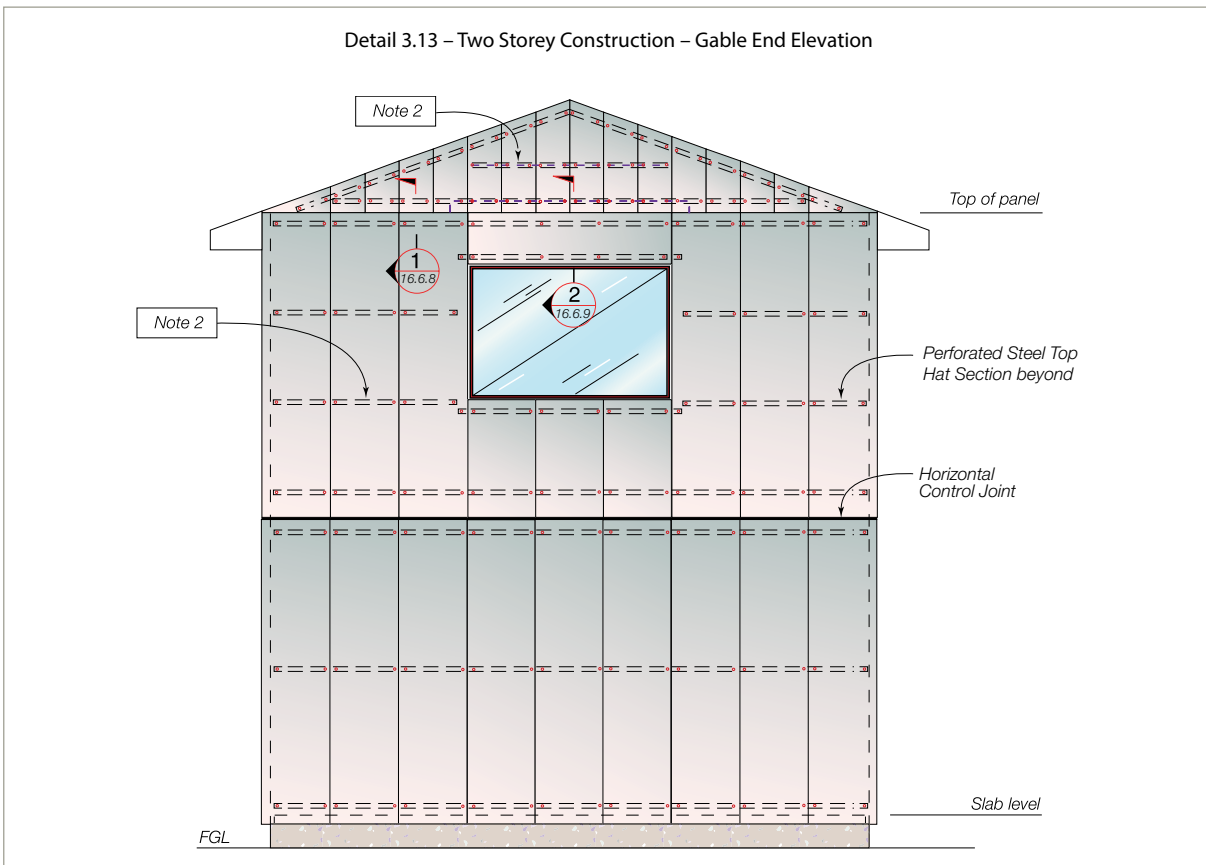
Detail 3.11 – Two storey construction – isometric view detail



Detail 3.12 – Two storey construction – Hip Roof Elevation



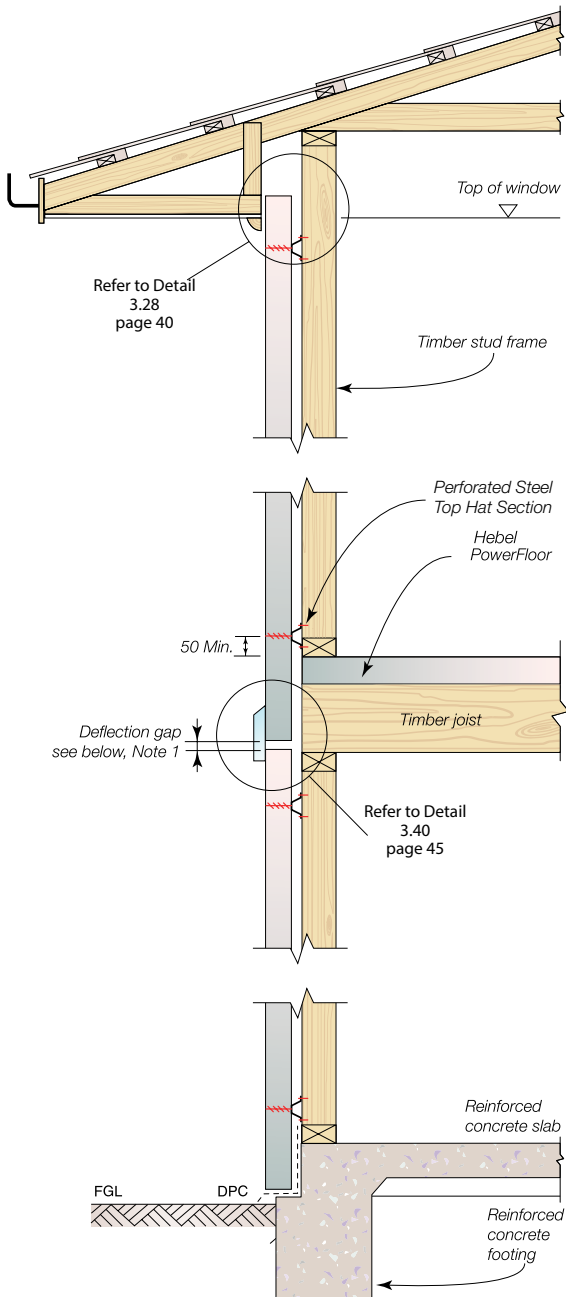
Detail 3.13 – Two Storey Construction – Gable End Elevation



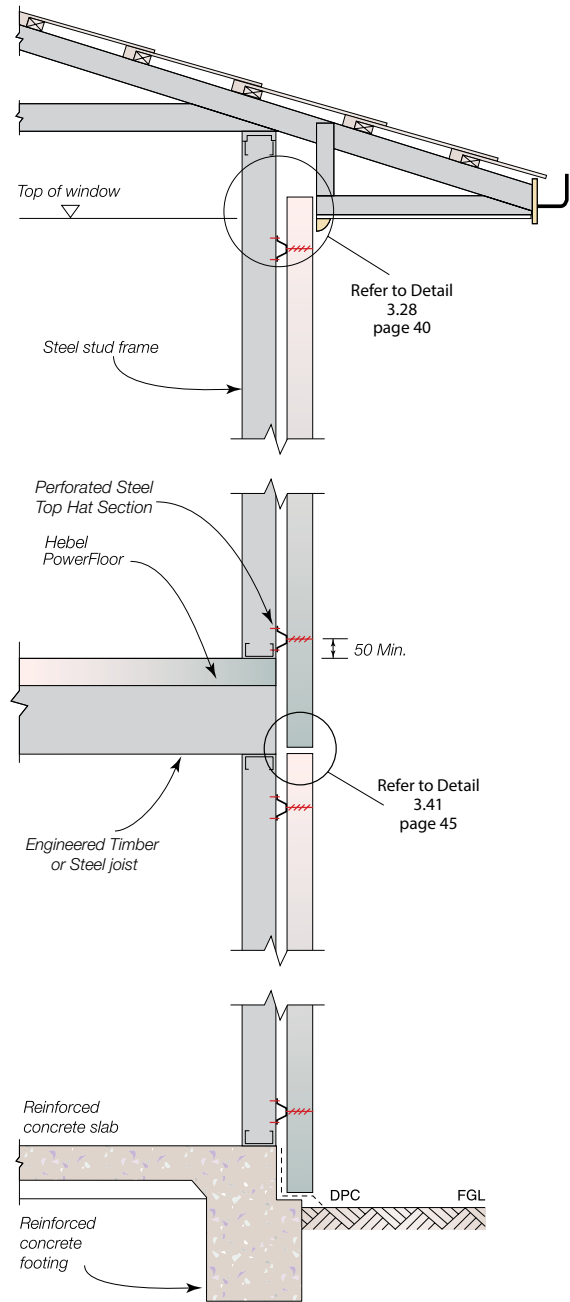
NOTE

1. Number of Top Hats and Top Hat spacing to be confirmed by the building designer.
2. Additional Top Hats may be required, for suspended panels. Refer to Table 1.6.
3. These details have not shown set-out of Top Hats to accommodate control joint locations. This is the responsibility of the building designer.
4. Frame design of lower floor to allow for extra load on wall from upper floor PowerPanel<sup>XL</sup> panels (refer to Section 4.8.2).
5. Minimum four horizontal Top Hats required for upper floor PowerPanel<sup>XL</sup> panels.

Detail 3.14 – Two Storey Construction  
– Typical Timber Frame Section using joists  
with >1% shrinkage



Detail 3.15 – Two Storey Construction  
– Steel Frame Section or engineered joists  
with ≤1% shrinkage



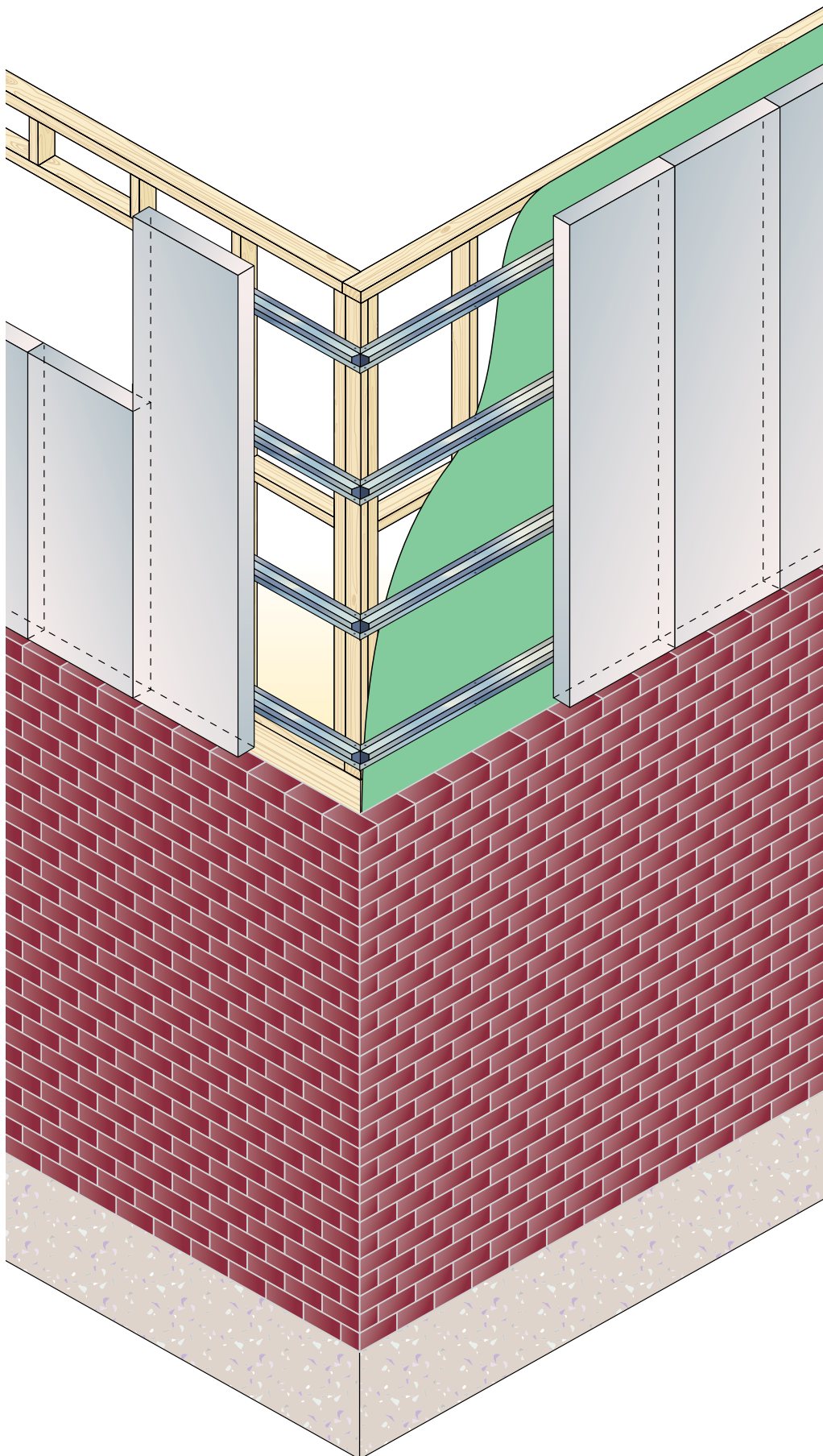
NOTE

1. These gap widths can be reduced for low shrinkage floor systems. Contact the floor system manufacturer for guidance on acceptable gap width. Refer also to BCA 2012 Vol. 2 and AS1684.

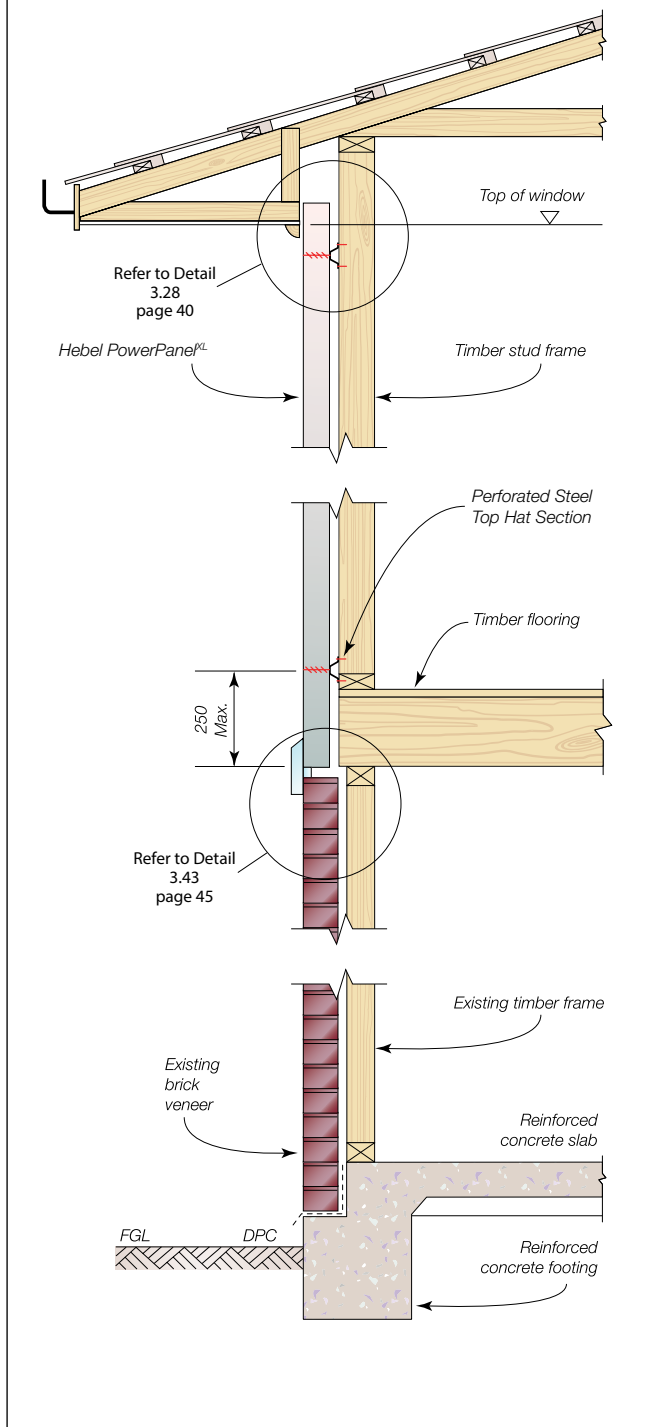
TYPICAL GUIDE	
Timber floor/frame	Deflection gap
Seasoned/Unseasoned	35mm Min.

## Two Storey Addition

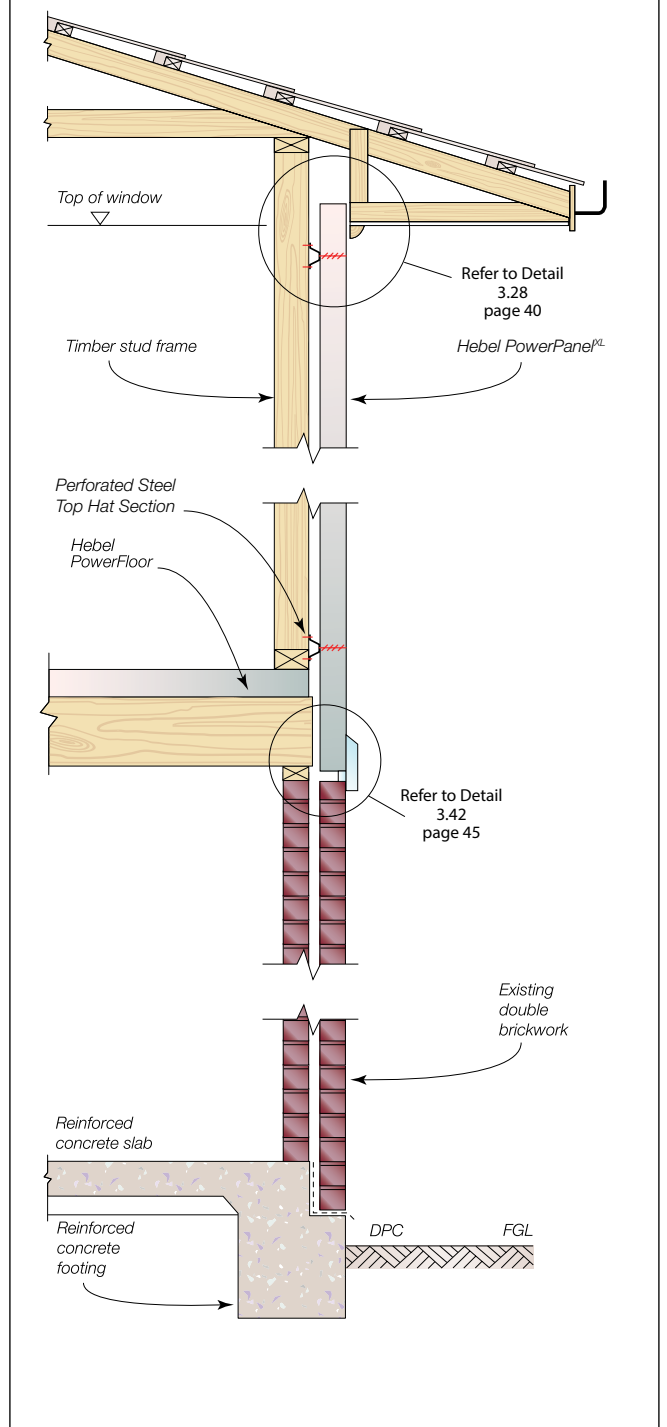
Detail 3.16 – Two Storey Addition – Isometric View Detail



Detail 3.17 – Two Storey Additions  
– Typical Section with Brick Veneer Below



Detail 3.18 – Two Storey Additions  
– Typical Section with Double Brick Below



NOTE

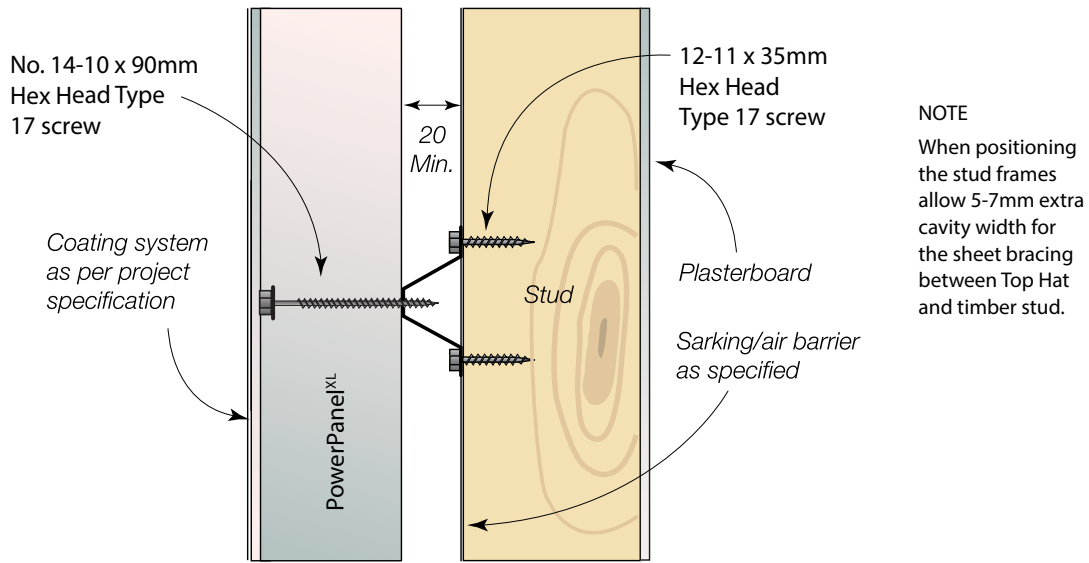
1. These gap widths can be reduced for low shrinkage floor systems. Contact the floor system manufacturer for guidance on acceptable gap width. Refer also to BCA 2012 Vol. 2 and AS1684.
2. Minimum 4 Top Hats required for panels that are suspended off the frame. Refer to tables 1.6 and 1.7 of this Design Guide.

TYPICAL GUIDE	
Timber floor/frame	Deflection gap
Seasoned/Unseasoned	35mm Min.



# Hebel PowerPanel<sup>XL</sup> External Wall System Fixing & Installation Detail

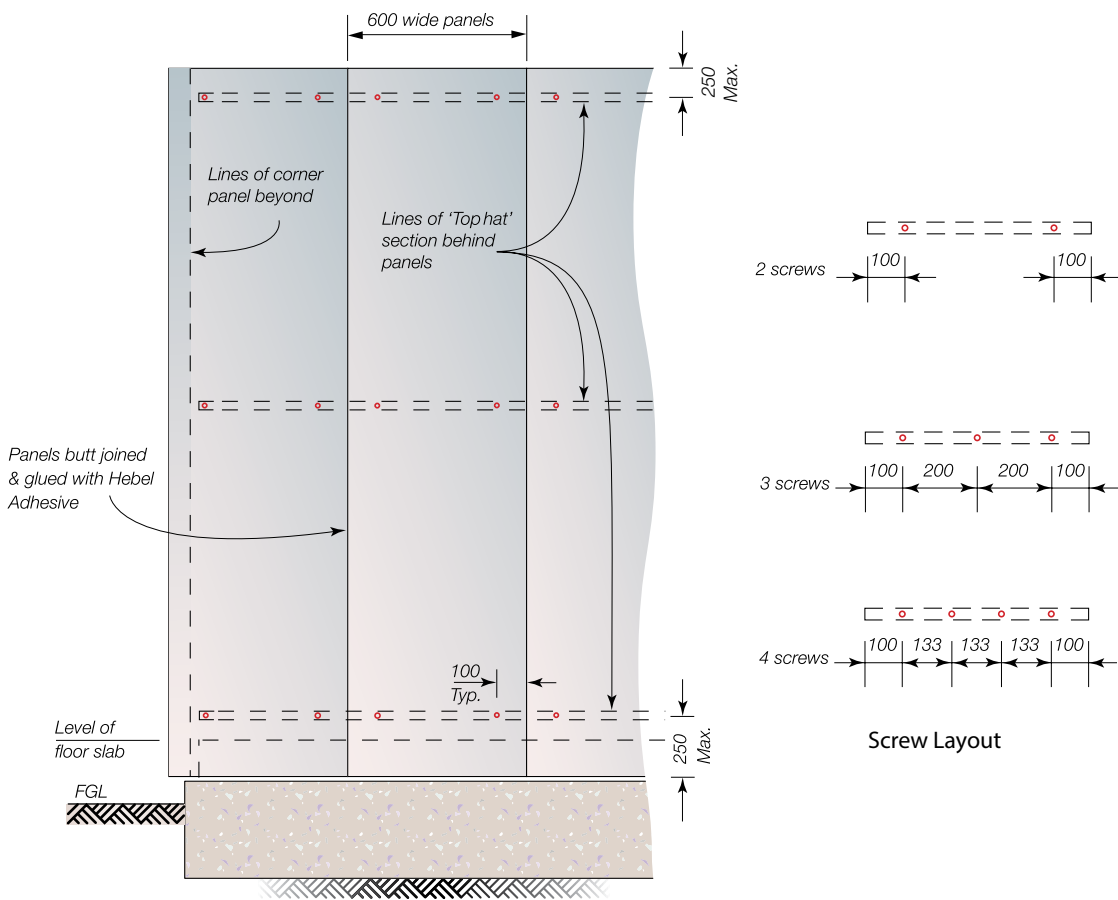
Detail 3.19 – Hebel PowerPanel<sup>XL</sup> External Wall System Fixing Detail



**NOTE**  
When positioning the stud frames allow 5-7mm extra cavity width for the sheet bracing between Top Hat and timber stud.

Contact Hebel Technical Services for Internal fix boundary line details.

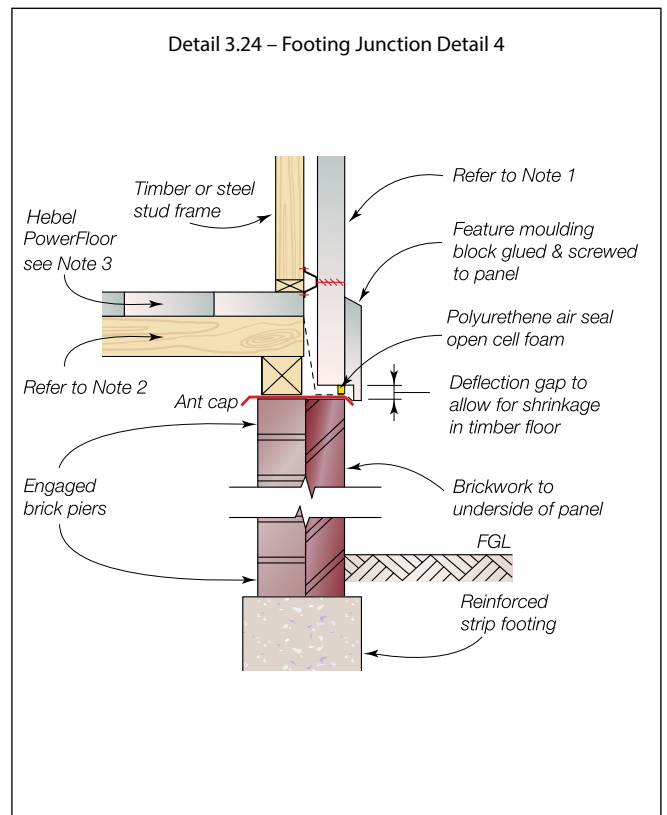
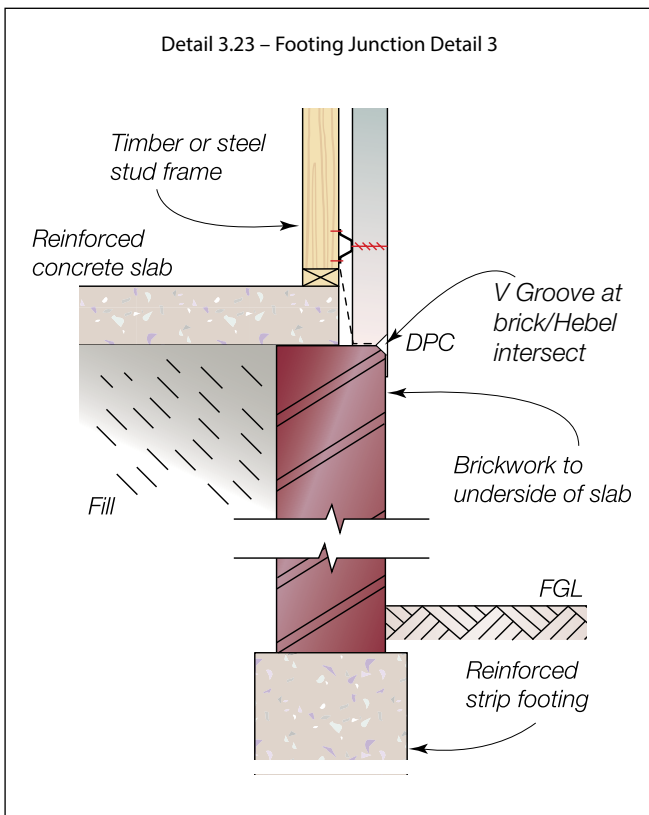
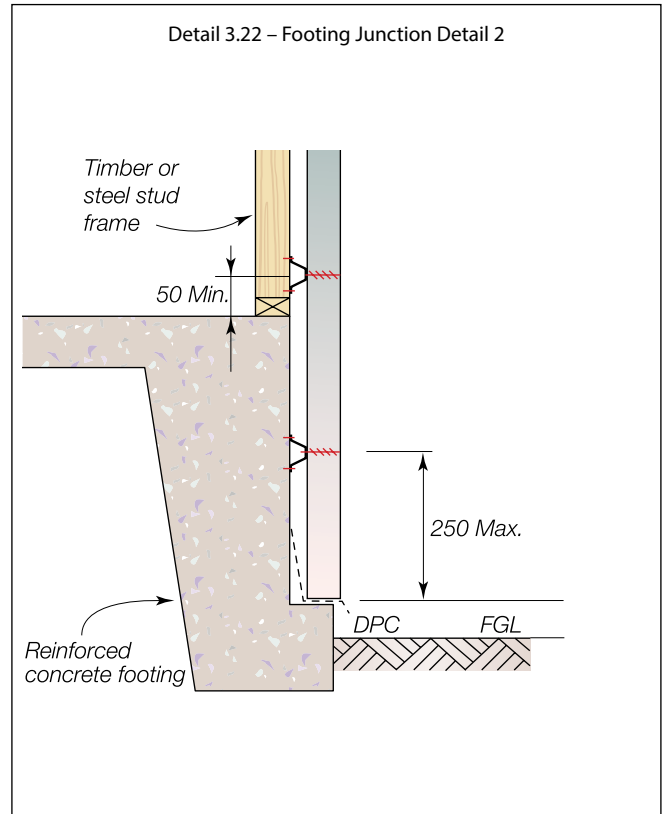
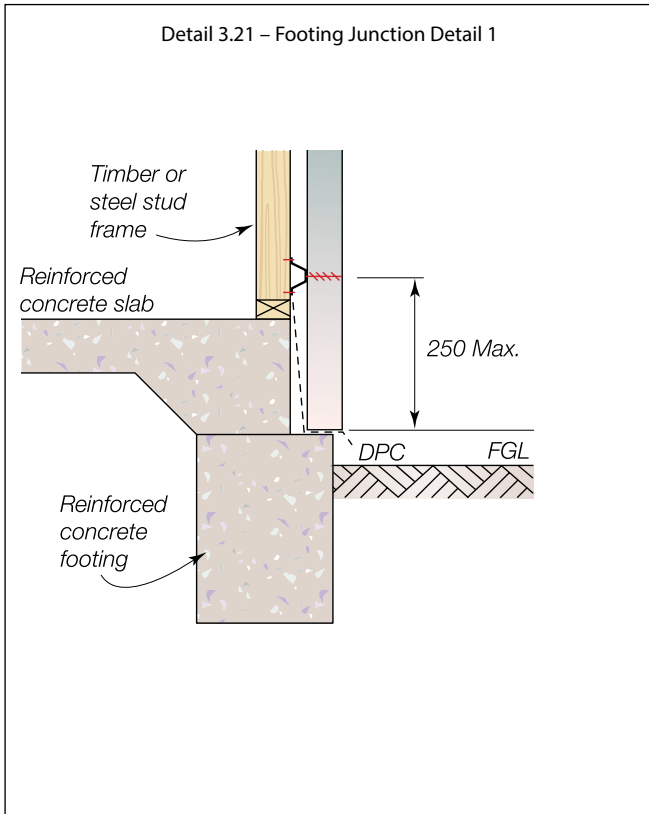
Detail 3.20 – Screw Layout Drawing



Screw Layout

PowerPanel<sup>XL</sup> Panel Setout – Elevation View

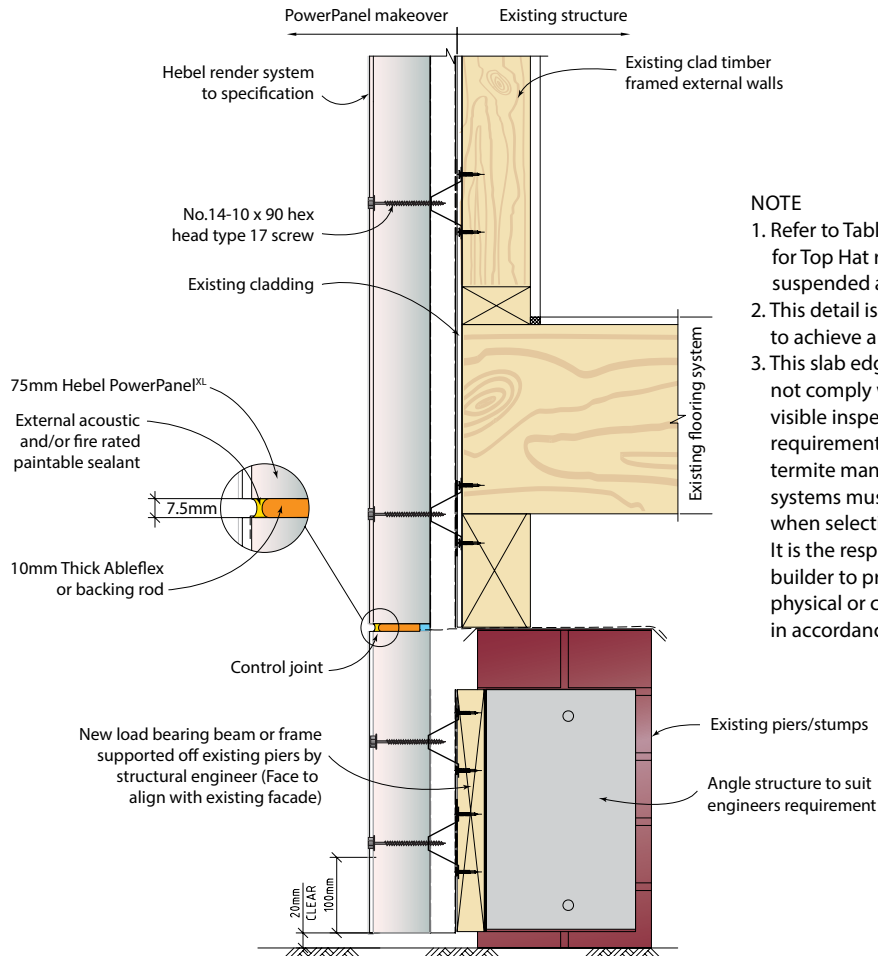
## Footing Junction Details



**NOTE**

1. Do not fix Top Hat to floor joists.
2. If non-shrink floor joists are used, gap may be reduced or eliminated. Seek further technical advice from the framing manufacturer.
3. Refer to CSR Hebel for Hebel PowerFloor™ details.
4. Refer AS3660 for termite protection.
5. When fixing Top Hats to concrete, contact the fixing manufacturer for details.

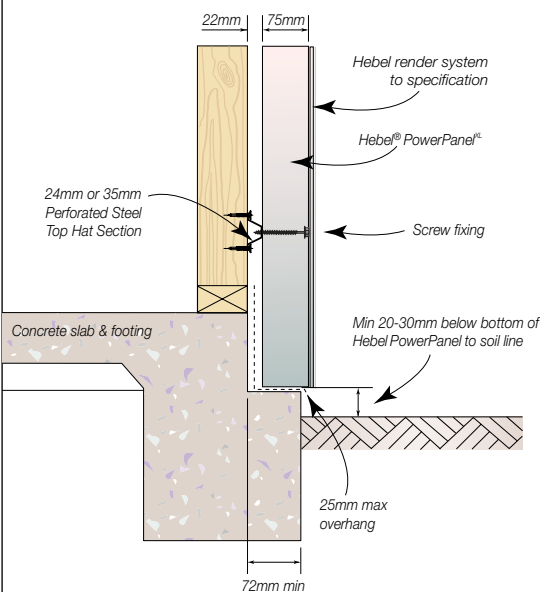
Detail 3.25 – Footing Junction Detail 5



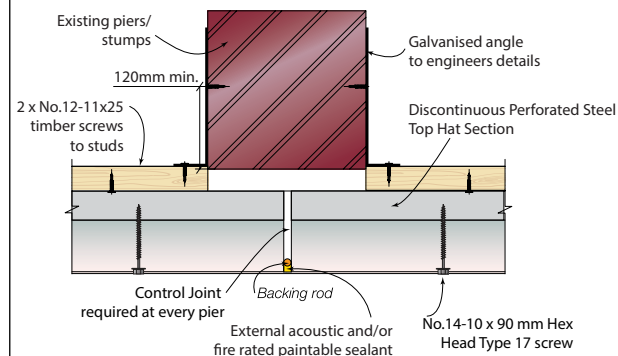
**NOTE**

1. Refer to Table 1.5 and 1.7 for Top Hat requirement for suspended applications
2. This detail is not considered to achieve a fire rating level
3. This slab edge detail does not comply with the termite visible inspection zone requirements. Alternate termite management systems must be used when selection this detail. It is the responsibility of the builder to provide a suitable physical or chemical barrier in accordance with AS3660.

Detail 3.26 – Footing Junction Detail 6



Detail 3.27 – Base Detail Suspended Floor – Pier Connection

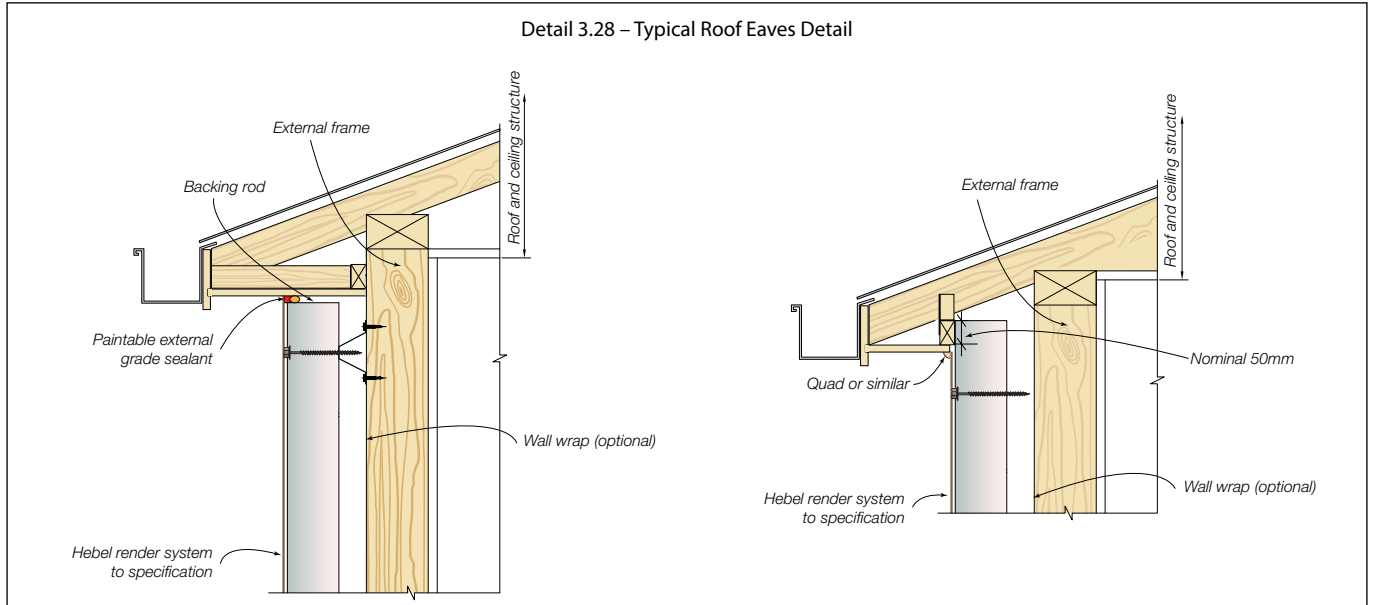


**NOTES**

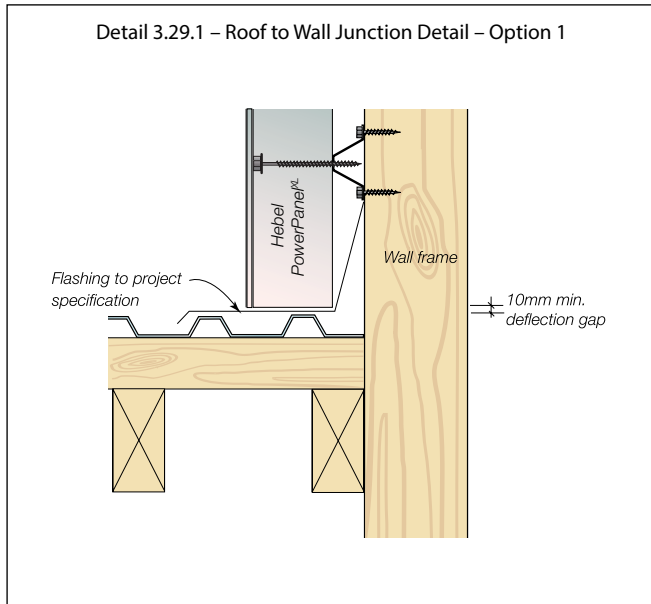
1. All garden beds and /or finished soil line must remain a minimum of 20-30mm below the bottom of the finished rendered wall.
2. This slab edge detail does not comply with the termite visible inspection zone requirements. Alternate termite management systems must be used when selection this detail. It is the responsibility of the builder to provide a suitable physical or chemical barrier in accordance with AS3660.

# Wall Junction Details & Sections

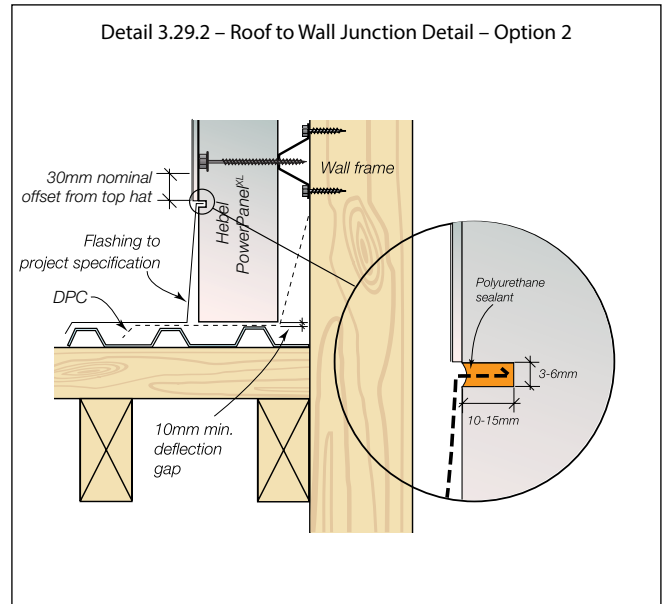
Detail 3.28 – Typical Roof Eaves Detail



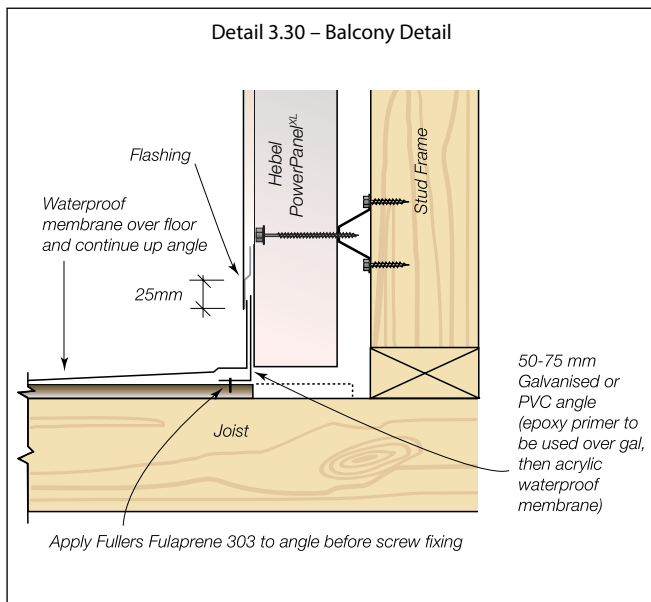
Detail 3.29.1 – Roof to Wall Junction Detail – Option 1



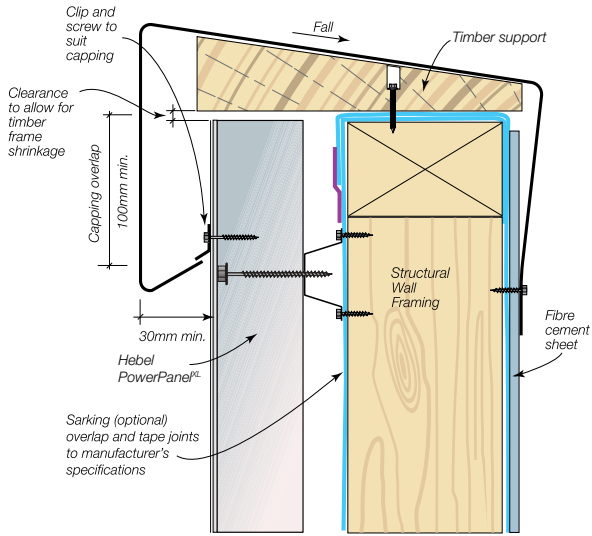
Detail 3.29.2 – Roof to Wall Junction Detail – Option 2



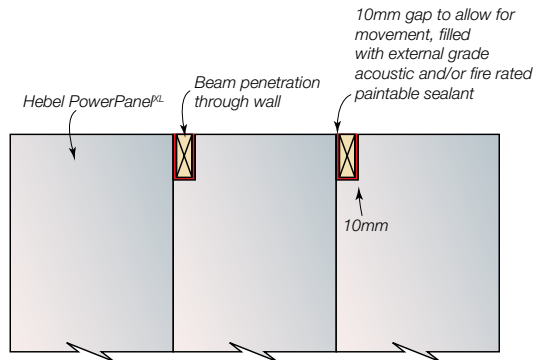
Detail 3.30 – Balcony Detail



Detail 3.31 – Parapet Capping

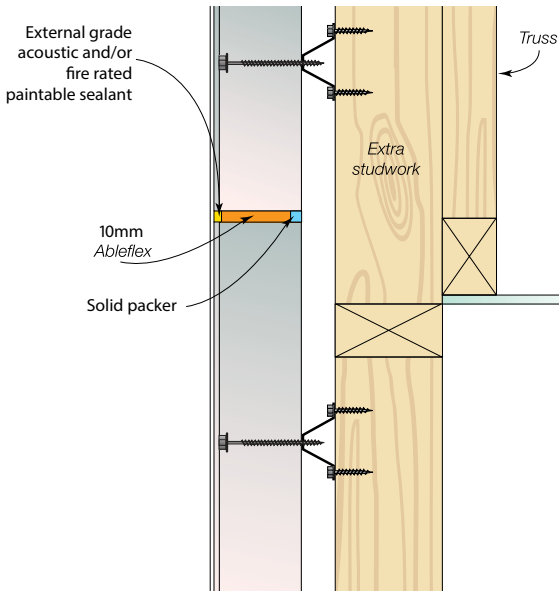


Detail 3.32 – Beam Penetration Detail

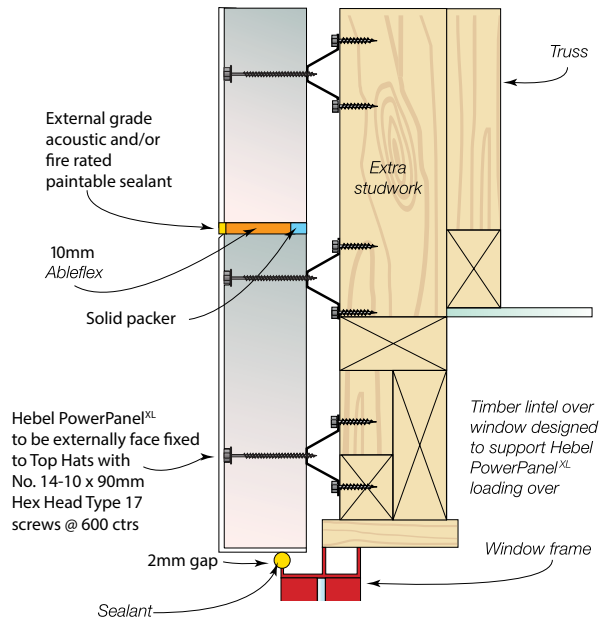


**NOTE**  
Parapet capping shall be designed and fastened in accordance with SAA – HB39 1997 – Installation Code for Metal Roofing and Wall Cladding. Stop ends shall be incorporated to all flashings.

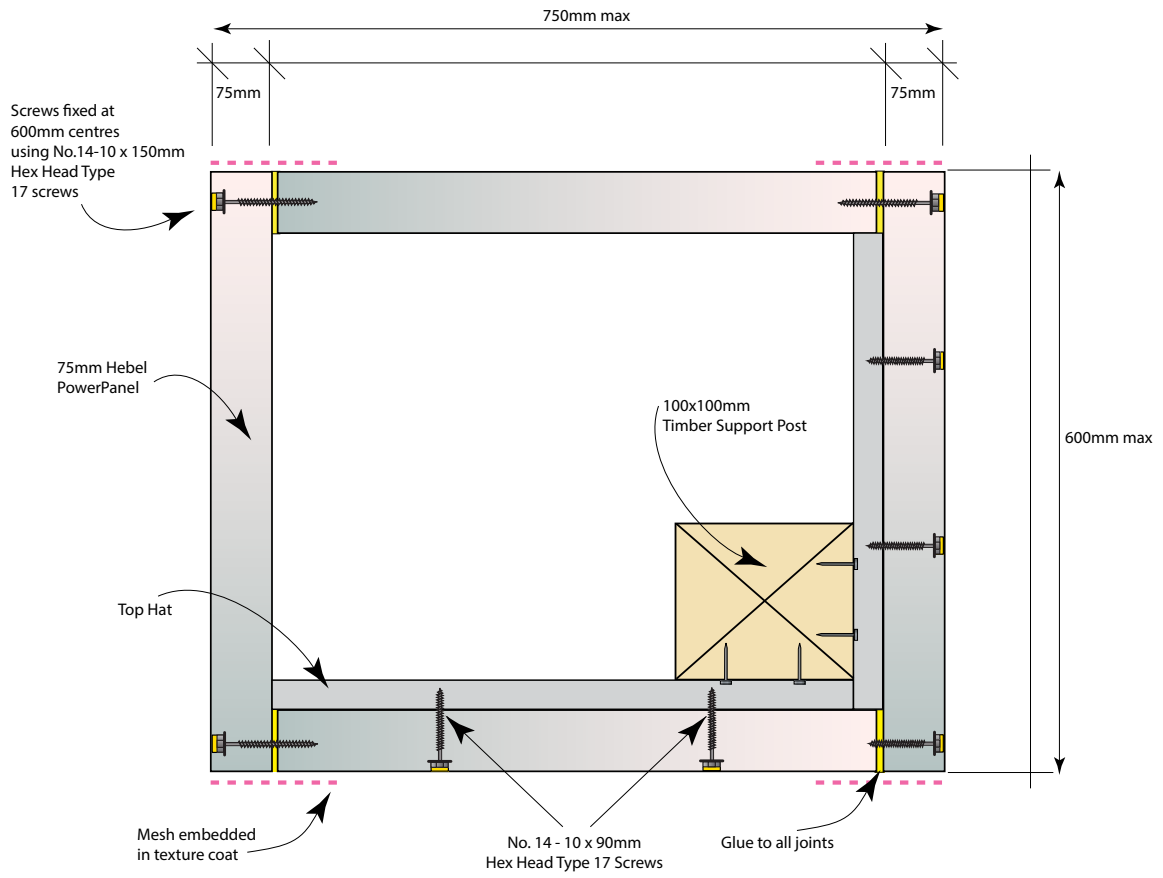
Detail 3.33 – Gable End Wall Detail



Detail 3.34 – Gable End Wall Detail – Lintel panel over window



Detail 3.35 – Column Detail (glued and screwed)





## Control Joints

The following information provides the necessary rules for Control Jointing when installing the Hebel PowerPanel<sup>XL</sup> External Wall System

- Vertical Control Joints required at maximum 6m centres
- Vertical Control Joints required at external and internal corners
- Vertical Control Joints required above and below all doors, including sliding and garage doors
- Horizontal Control Joints Required at every horizontal floor junction
- Horizontal Control Joints required at a maximum height of 3.9m

For openings < 2450mm in width

- Control Joint not required. If the straight joint that extends above or below the window jamb is less

than 600mm long, a control joint or a Glued and Meshed Joint is required.

Note: The minimum Lintel panel height above windows is 270mm

For openings  $\geq$  2450mm and < 3600mm wide

- Control Joint required to at least one side of the opening (i.e. above and below the opening). If the straight joint that extends above or below the window jamb is less than 600mm long a control joint or a glued and meshed joint is required to the opposite side of the opening.

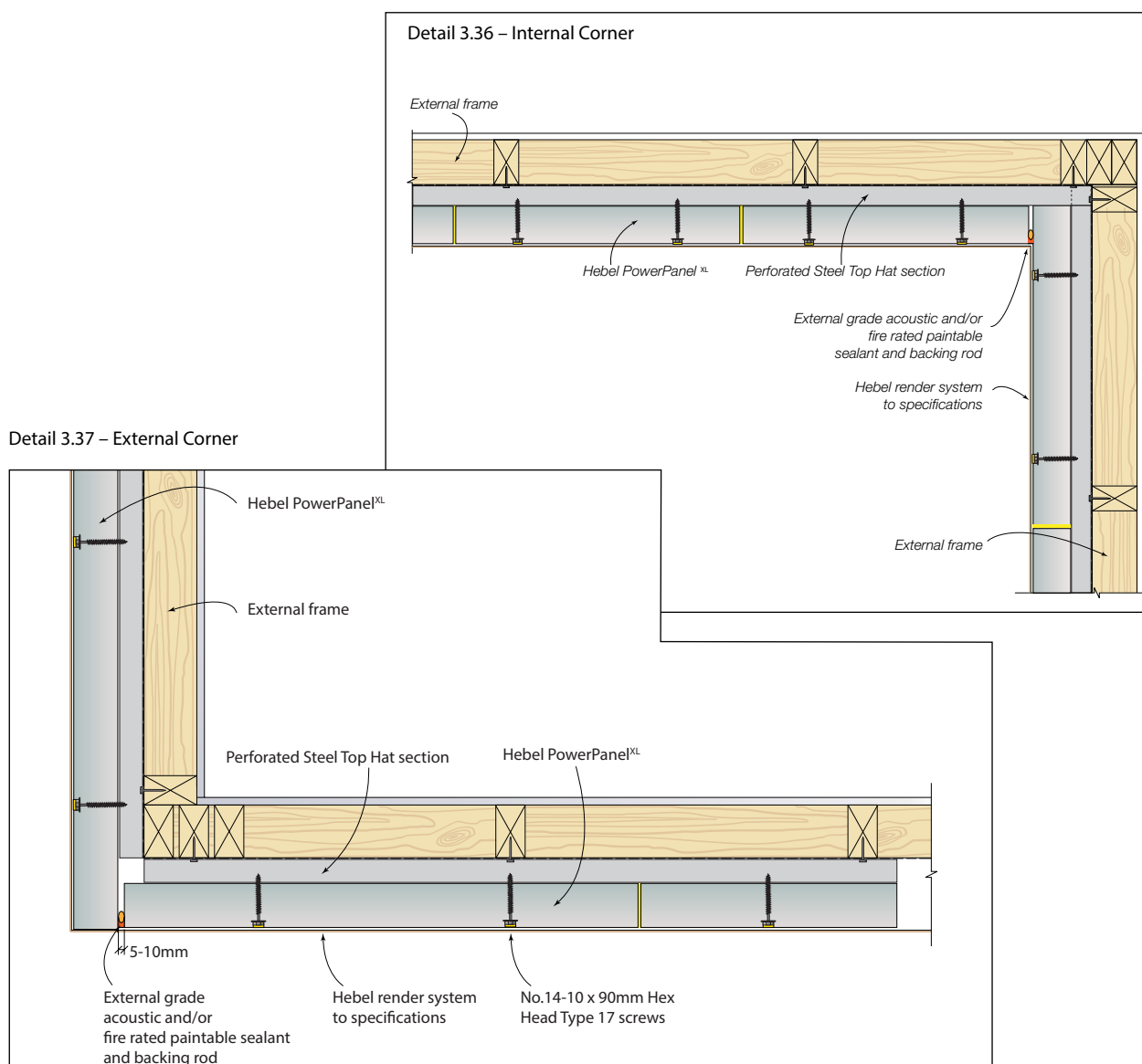
Note: The minimum Lintel panel height above windows is 270mm.

For openings  $\geq$  3600mm in width

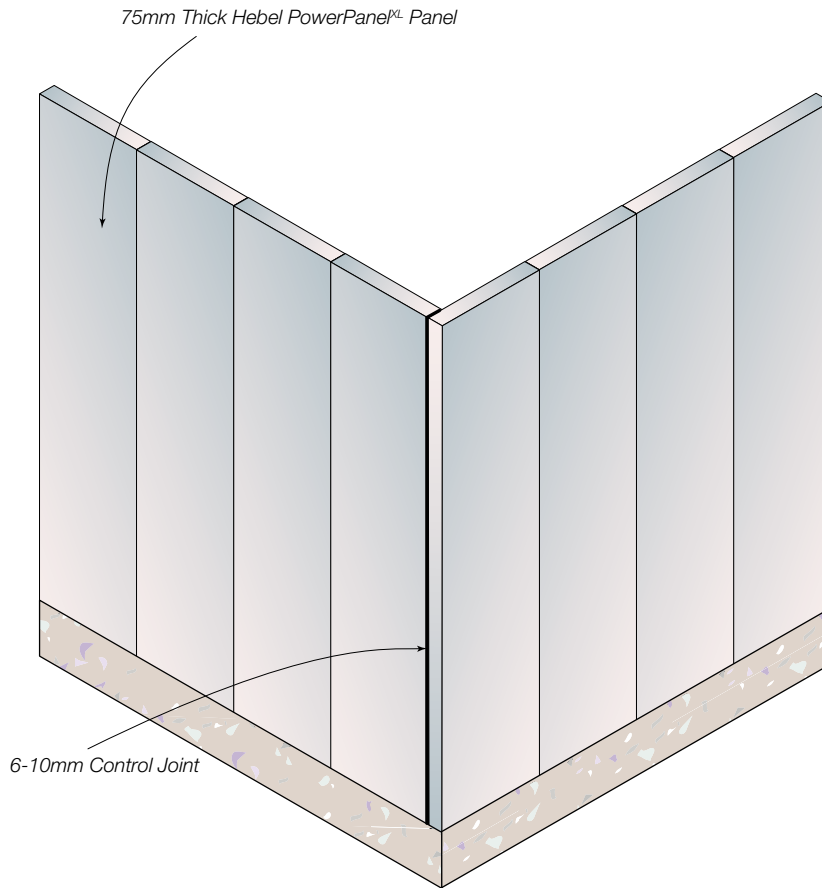
- Control Joint required to both sides of the opening (i.e. above and below the opening).

Note: The minimum Lintel panel height above windows is 270mm.

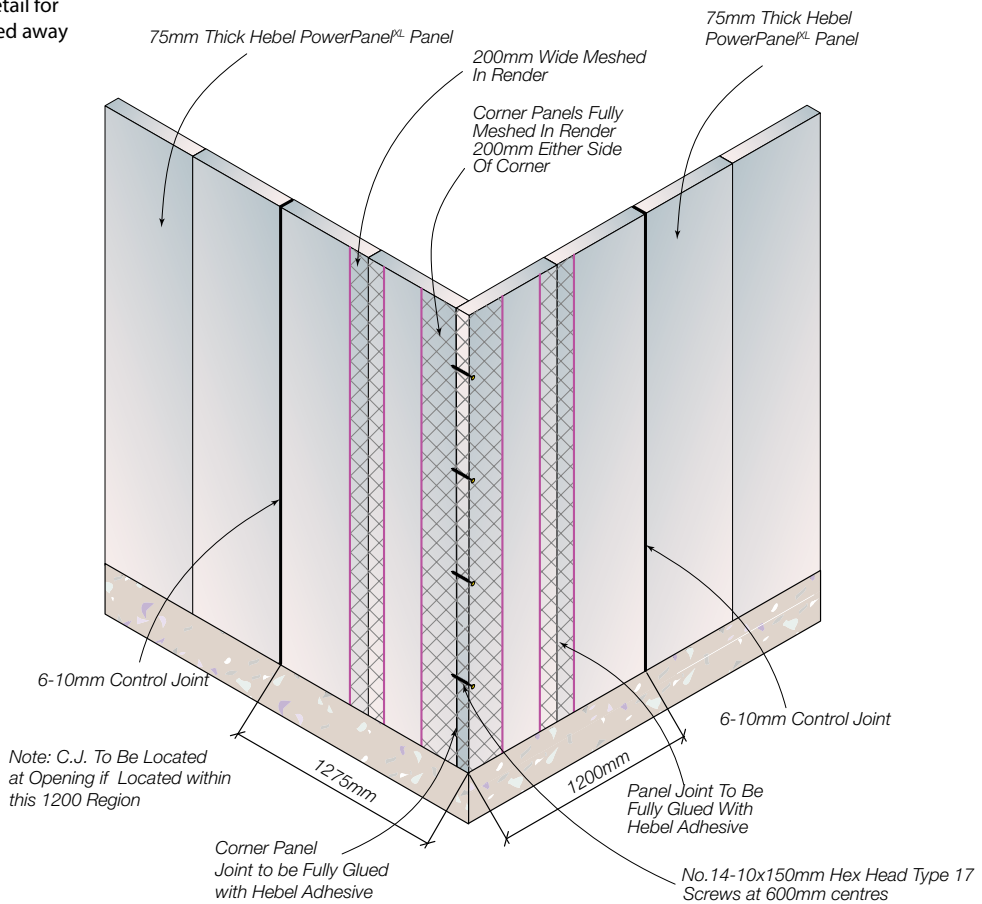
Footing and slab design to comply with AS 2870



Detail 3.38 – Typical detail for control joints positioned on corner

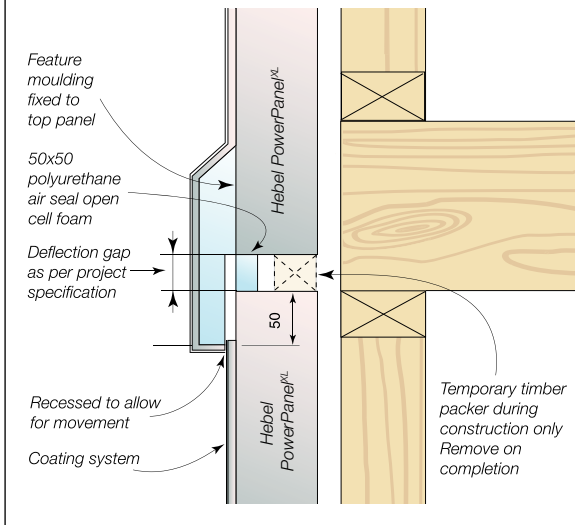


Detail 3.39 – Typical detail for control joints positioned away from a corner

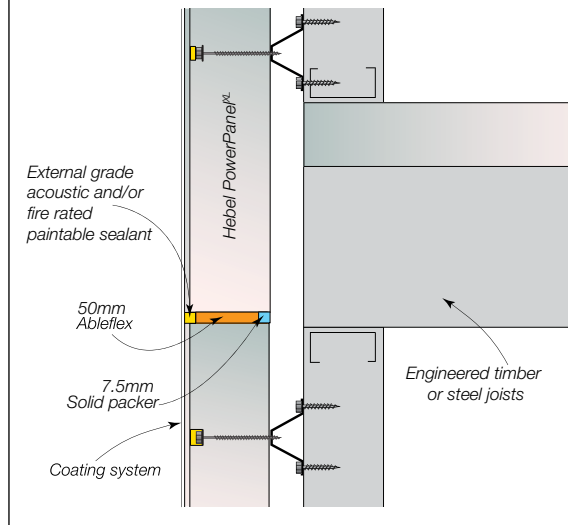


## Control Joint Details

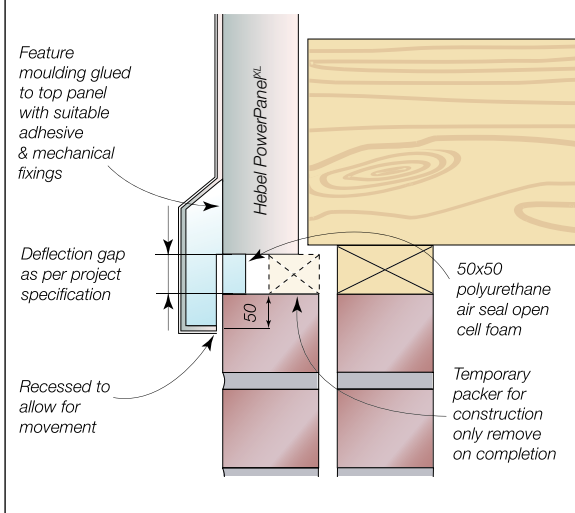
**Detail 3.40 – Typical Horizontal Control Joint  
– Timber Stud Frame using joists with >1% shrinkage**



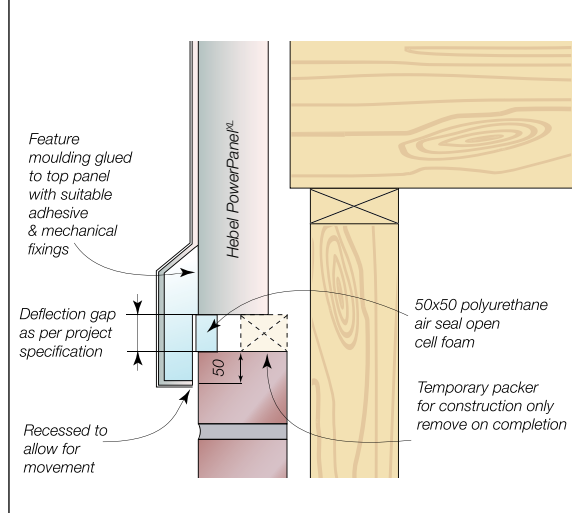
**Detail 3.41 – Typical Horizontal Control Joint  
Steel Stud Frame or engineered timber joists ≤1% shrinkage**



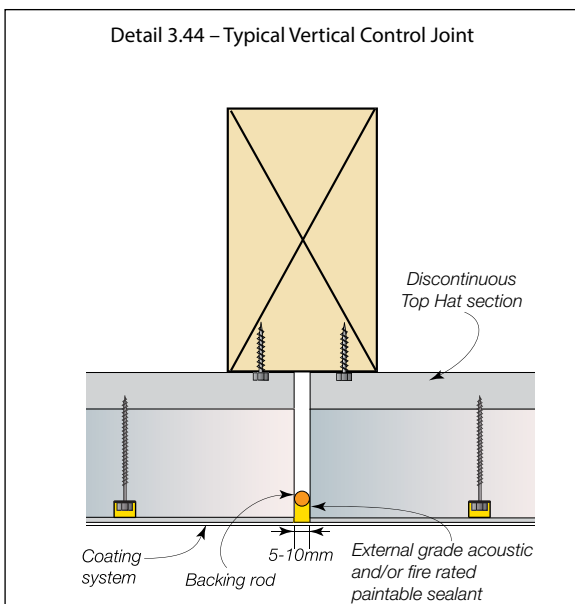
**Detail 3.42 – Horizontal Control Joint – Cavity  
Brickwork to Hebel PowerPanel<sup>XL</sup>**



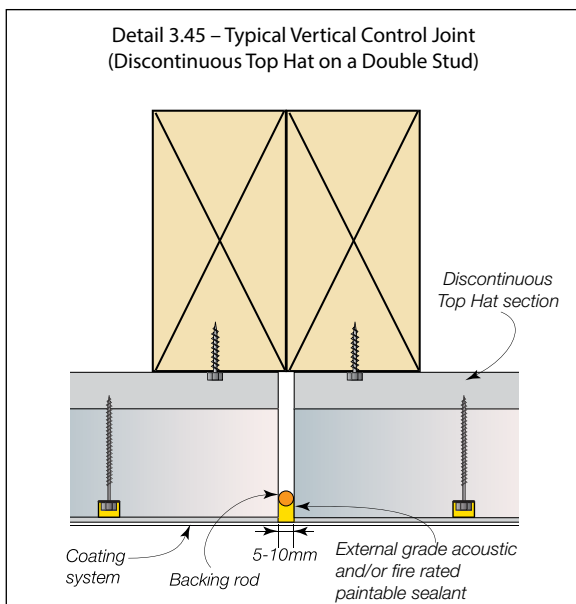
**Detail 3.43 – Horizontal Control Joint  
– Brick Veneer to Hebel PowerPanel<sup>XL</sup>**



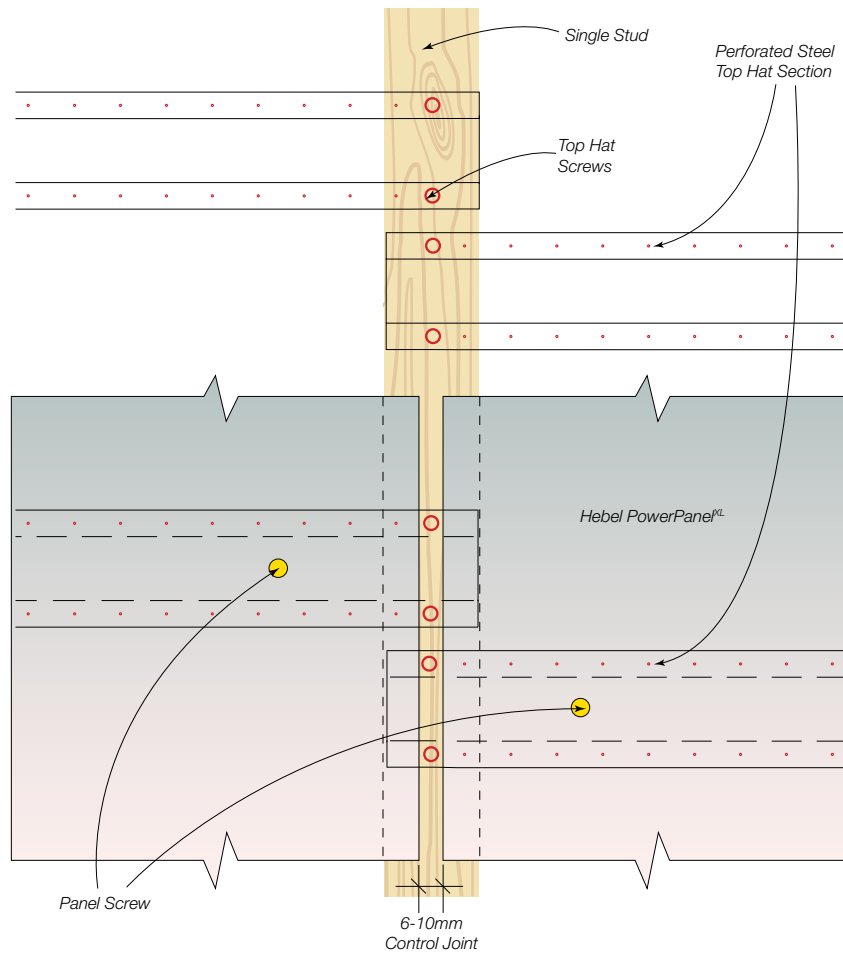
**Detail 3.44 – Typical Vertical Control Joint**



**Detail 3.45 – Typical Vertical Control Joint  
(Discontinuous Top Hat on a Double Stud)**

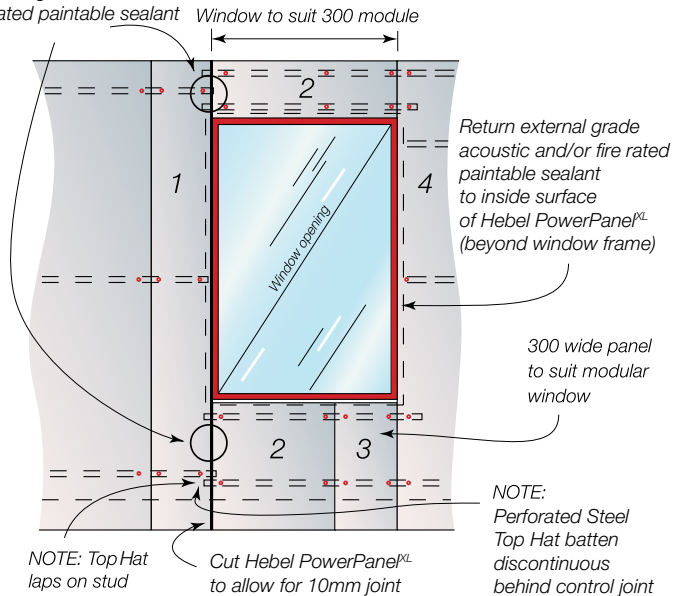


Detail 3.46 Control Joint – Discontinuous Top Hats on a Single Stud



Detail 3.47 – Typical Window Control Joint Detail – Lintel Over

10mm control joint at window  
 Fill with external grade acoustic  
 and/or fire rated paintable sealant



NOTE

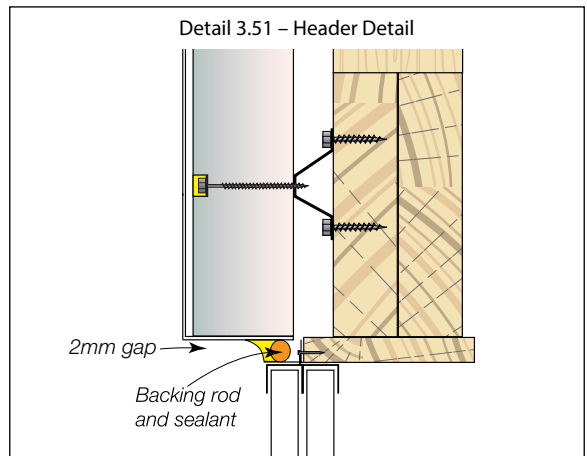
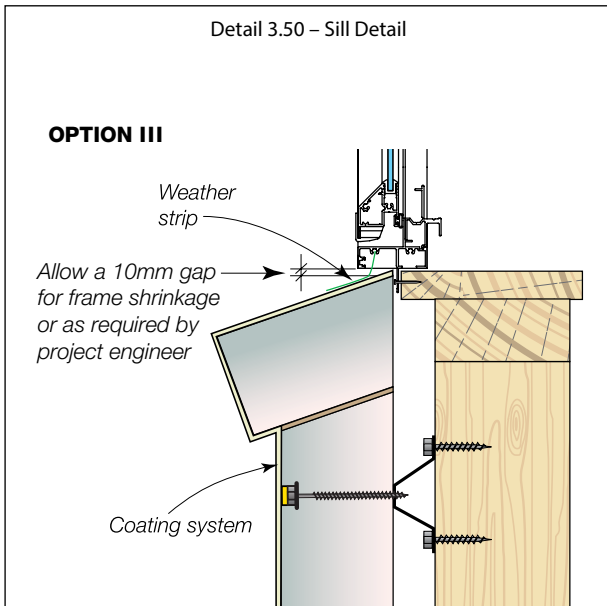
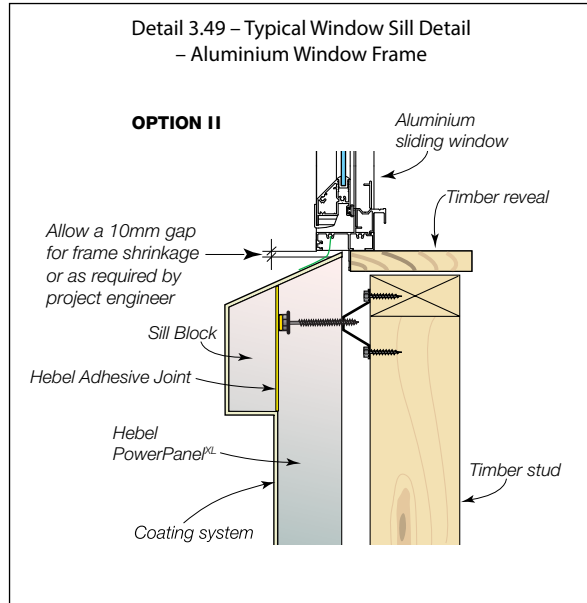
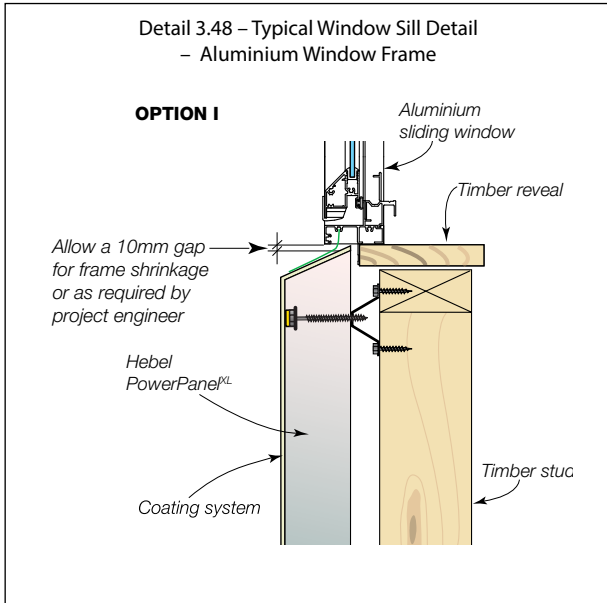
1. The installation sequence of the PowerPanelXL panels around the openings should be followed as numbered if there is no control joint at the opening, to maintain glue thickness on the edge of the panel.

NOTE: Top Hat laps on stud

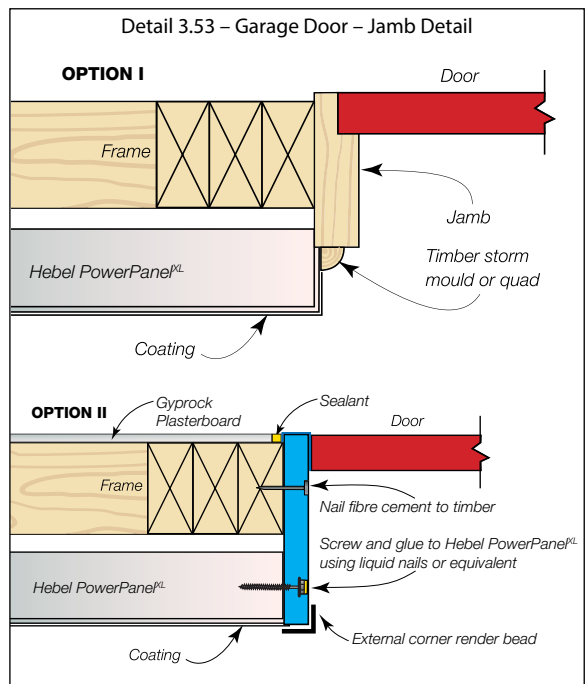
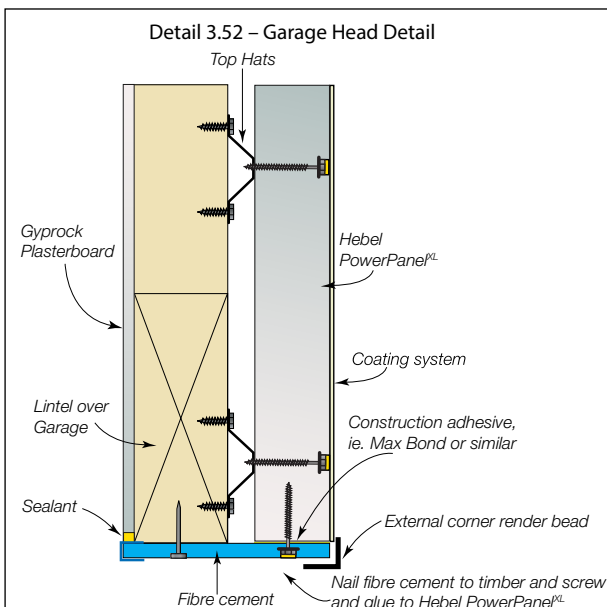
Cut Hebel PowerPanelXL to allow for 10mm joint

NOTE: Perforated Steel Top Hat batten discontinuous behind control joint

## Door & Window Detail

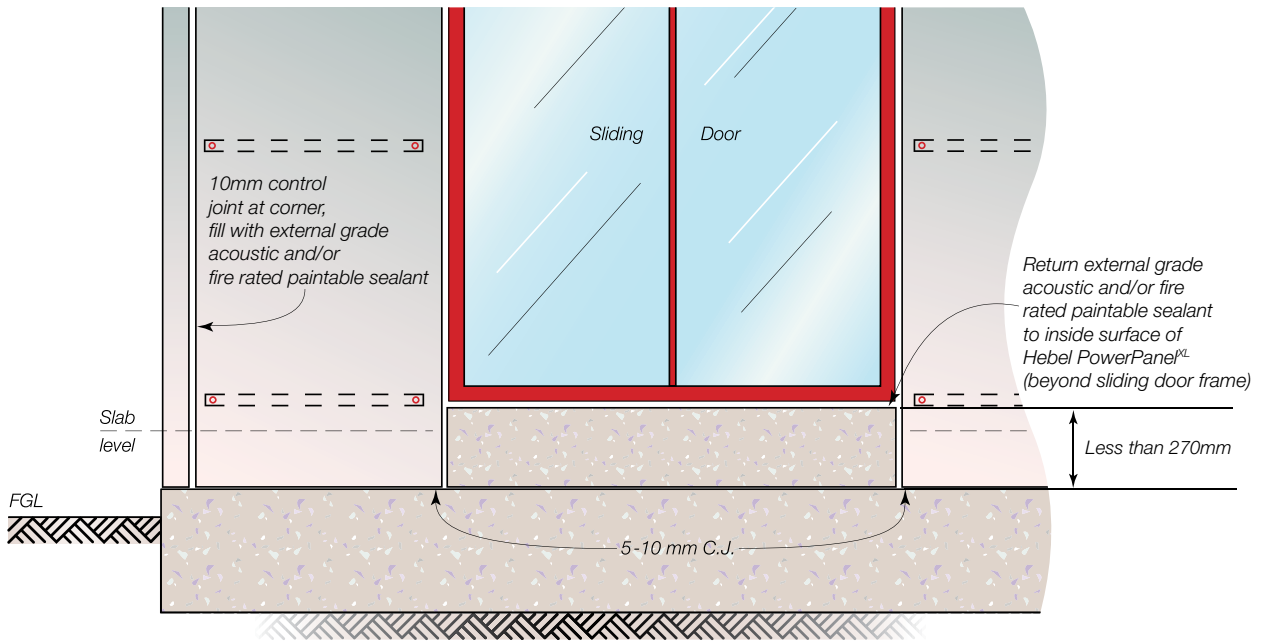


NOTE Drainage of window and door sills, in either aluminium or timber, should be directed to the outside of the building, on top of the window sill.

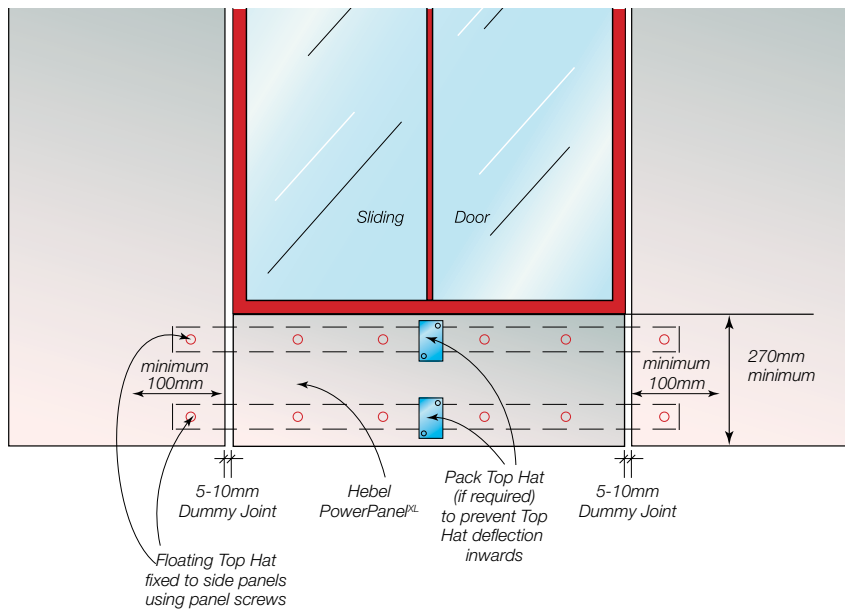




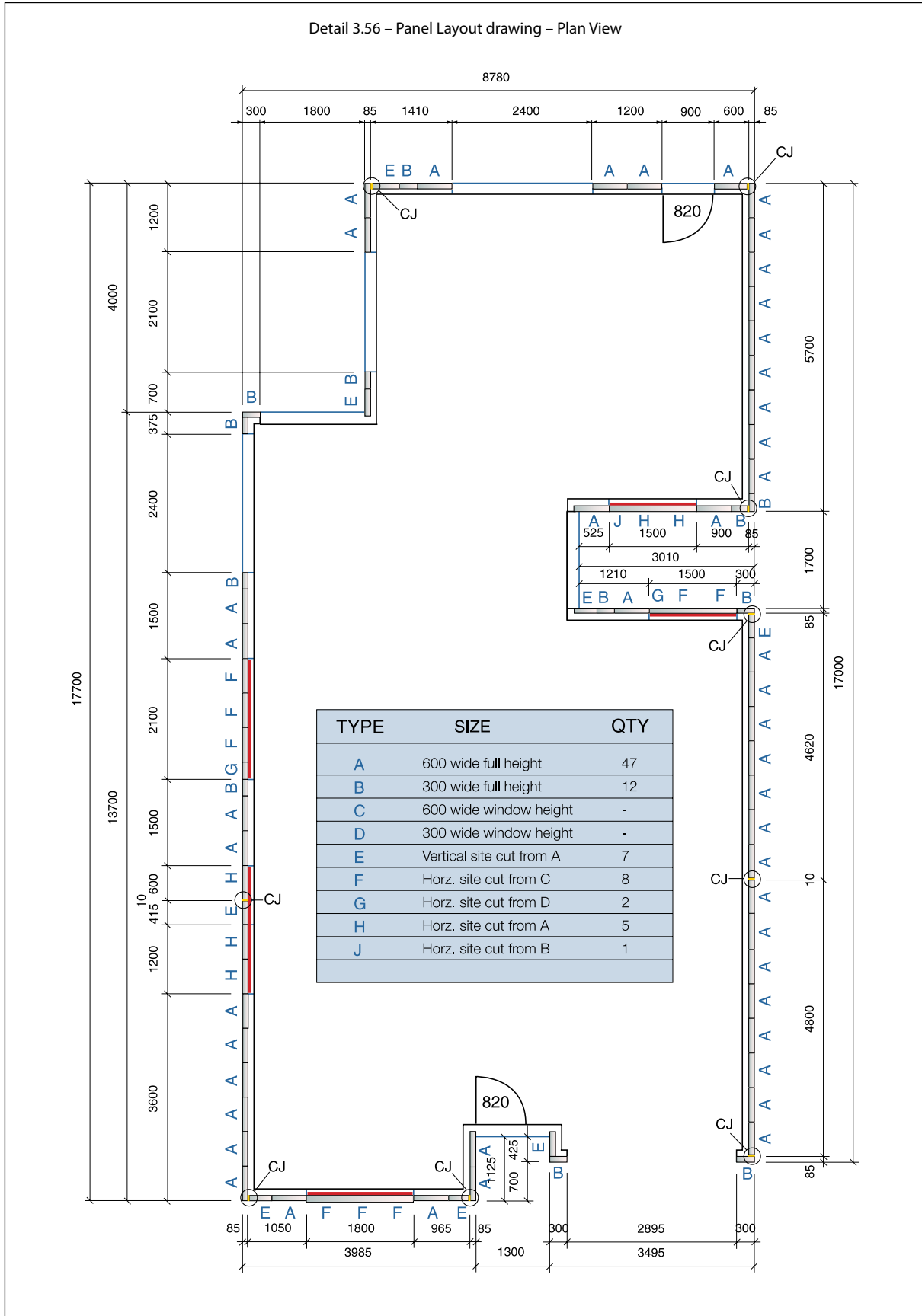
Detail 3.54 – Sliding Door Sill Detail – Option 1 – Concrete sill < 270mm



Detail 3.55 – Sliding Door Sill Detail – Section View  
PowerPanel<sup>XL</sup> sill (>270mm)



## Miscellaneous Details



**NOTE**

1. At corners, PowerPanelXL panels can be laid out at 300mm multiples in one direction and 300mm multiples + 85mm in the other direction
2. Width of PowerPanelXL panels may vary + or - 1.5mm

# 4.1 Delivery and storage

## Unloading Panel Packs

Panel packs should only be unloaded and moved with approved lifting devices. Before use, the lifting devices should be checked for the required lifting tags. Packs should be unloaded as close as possible to the intended installation area. This will increase work efficiency and minimise the need for secondary lifting.

NOTE: Secondary handling increases the risk of panel damage. The repair of damage sustained during lifting and moving is the responsibility of the lifter. Where damage is excessive, PowerPanel<sup>XL</sup> panels must be replaced.

## Storage

All materials must be kept dry and preferably stored undercover. Care should be taken to avoid sagging or damage to ends, edges and surfaces.

All Hebel products must be stacked on edge and properly supported off the ground, on a level platform. Panel bundles can be stacked two high. The project engineer should be consulted as to the adequacy of the structure to support the stacked bundles.

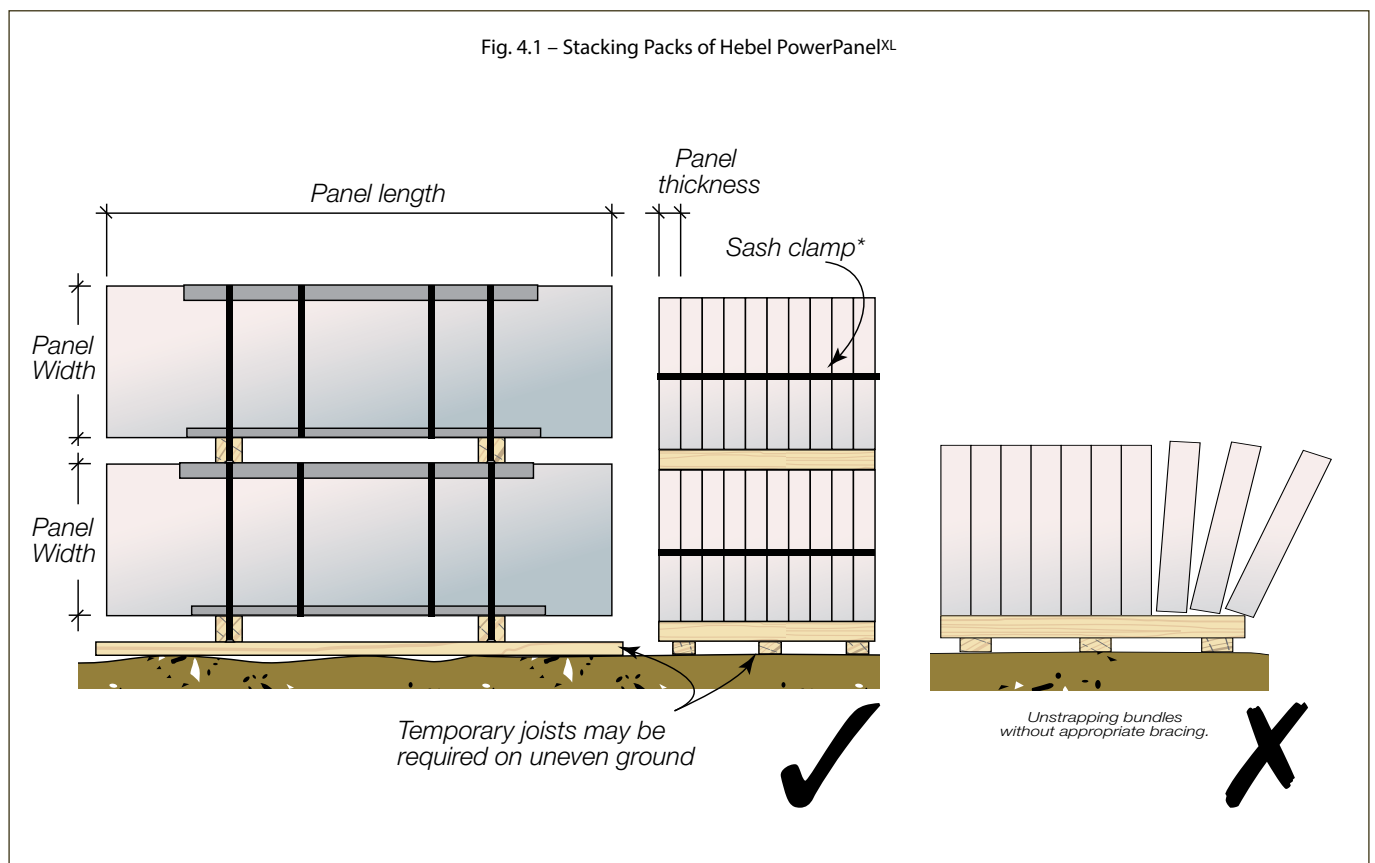
If outside, Hebel panels must be stored off the ground and protected from the weather. Only single bundles positioned on the ground can be opened. To provide a level surface, we recommend placing temporary joists beneath the supporting cleats.

## Unstrapping Packs

Ensure appropriate bracing is installed to packs prior to removal of strapping to prevent panels from falling. Panels can be held together with sash clamps, ratchet straps or Hebel stabilising bars.



Fig. 4.1 – Stacking Packs of Hebel PowerPanel<sup>XL</sup>



## 4.2 Hebel Hoist

Hebel has developed an innovative hoisting solution that now makes it easy to install boundary walls and vastly improves the efficiency of installing intertenancy walls in areas with limited access.

This revolutionary lifting device attaches directly to the frame and features a rail and hoist which allows panels to be safely lifted, transported and placed precisely from above before being fixed from the inside of the building.

Suitable for steel or timber frames up to three storeys high, the Hebel Hoist allows builders to streamline their workflow by erecting all the frames first before installing the external panels. It also has the potential to allow builders to increase the footprint of their buildings by moving external walls right up to the boundary.

The Hebel Hoist is only available through trained and accredited Hebel installers. Please contact your local Hebel sales representative or the Hebel customer service centre to discuss the opportunity to improve your efficiency and profitability using Hebel Hoist.

### **Mechanically Assisted Handling**

Moving and handling Hebel panels should be done as much as possible using mechanical aids such as forklifts, cranes and special panels lifting trolleys. Guidelines for handling Hebel PowerPanel<sup>XL</sup> using the PowerPanel<sup>XL</sup> Trolley or PowerPanel<sup>XL</sup> lifters are detailed in Technical Bulletin Hebel PowerPanel<sup>XL</sup> Handling & Installation Guidelines, NoHTB791.

### **Health, Safety & Personal Protective Equipment (PPE)**

Hebel products are cement-based, which may irritate the skin, resulting in itching and occasionally a red rash. The wearing of gloves and suitable clothing to reduce abrasion and irritation of the skin is recommended when handling Hebel products. Approved respirators (AS/NZS1715 and AS/NZ1716) and eye protection (AS1336) should be worn at all times when cutting and chasing. Refer to the Hebel Material Safety Data Sheets. Refer to the back of this Design & Installation Guide for further information regarding health and safety.



# 4.3 Panel handling

## Manual Handling

Hebel recommends using a trolley or other mechanical apparatus to move the PowerPanel<sup>XL</sup> panels around the work site. Manual handling where people physically move a panel should be kept to a minimum, with the weight being supported by an individual kept as small as possible. Any concerns regarding the weight to be handled should be discussed with the panel installation contractor.

To minimise the possibility of manual handling injuries, Hebel suggests the following:

- Use mechanical aids, such as trolleys, forklifts, cranes and levers, or team lifting to move panels.
- Keep the work place clean to reduce the risk of slips, trips and falls, which can cause injury.
- Plan the sequence of installation to minimise panel movements and avoid awkward lifts.
- Train employees in good lifting techniques to minimise the risk of injury.



## Hebel Hoist

Hebel has developed an innovative hoisting solution that allows safe lifting and handling of Hebel panels on upper storeys. The Hebel hoist is also suitable for intertenancy walls, with limited access. Contact Hebel for more information.



## Mechanically Assisted Handling

Moving and handling Hebel panels should be done as much as possible using mechanical aids such as forklifts, cranes and special panels lifting trolleys.

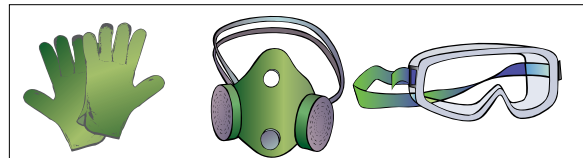
Guidelines for handling Hebel PowerPanel<sup>XL</sup> using the PowerPanel<sup>XL</sup> Trolley or PowerPanel<sup>XL</sup> lifters are detailed in Technical Bulletin Hebel PowerPanel<sup>XL</sup> Handling & Installation Guidelines, NoHTB791.

## Health, Safety & Personal Protective Equipment (PPE)

Hebel products are cement-based, which may irritate the skin, resulting in itching and occasionally a red rash. The wearing of gloves and suitable clothing to reduce abrasion and irritation of the skin is recommended when handling Hebel products.

Approved respirators (AS/NZS1715 and AS/NZ1716) and eye protection (AS1336) should be worn at all times when cutting and chasing. Refer to the Hebel Material Safety Data Sheets. Refer to the back of this Design & Installation Guide for further information regarding health and safety.

Fig. 4.4 – Personal Protective Equipment



## Cutting

The use of power tools when cutting concrete products may cause dust, which contains respirable crystalline silica, with the potential to cause bronchitis, silicosis and lung cancer after repeated and prolonged exposure. When using power or hand tools, on Hebel products, wear a P1 or P2 respirator and eye protection. When cutting, routing or chasing Hebel products with power tools, use dust extraction equipment and wear hearing protection. Refer to the appropriate Hebel MSDS. For further information, contact Hebel or visit the website: [www.hebelaustralia.com.au](http://www.hebelaustralia.com.au)

Reinforcement exposed during cutting must be coated with a liberal application of Hebel corrosion protection paint.



## 4.4 Design, detailing and performance responsibilities

Hebel engages independent testing laboratories to test and report on the performance of a wall in accordance with the relevant Australian Standards. Consultants use these reports as the basis for opinions (estimates of laboratory performance) they issue for variations or different arrangements to the tested system, and also to design and specify walls that meet appropriate criteria for a particular project. Using their experience, the consultant will make judgement about on-site installed performance of various walls. The performance levels of walls documented in this design guide are either what is reported in a test or the documented opinion of consultants. Performance in projects is typically the responsibility of:

### Project Consultants (Structural, Fire, Acoustic, etc.)

These consultants are typically responsible for the following:

- Opinions on expected laboratory performance of wall configurations that vary from actual test configuration, such as substitution products and components.
- Judgements about expected field performance using laboratory test reports and practical experience.
- Design, specification and certification of structural, fire, acoustic, durability, weather tightness and any other required performance criteria for individual projects.

This involves the design and selection of building elements, such as wall and floors and their integration into the building considering the following:

- Interface of different building elements and to the structure/ substrate.
- Wall and floor junctions.
- Penetrations.
- Flashing issues.
- Room/building geometry.
- Acoustic and water penetration field-testing.

### Project Certifier and/or Builder

These professionals are typically responsible for:

- Identifying the performance requirements for the project in accordance with the Building Code of Australia and clearly communicating this to the relevant parties.
- Applicability of any performance characteristics supplied by Hebel including test and opinions for the project.
- The project consultant's responsibilities detailed above if one is not engaged in the project.

Hebel does not provide consulting services. Hebel only provides information that has been prepared by others and therefore shall not be considered experts in the field.

Any party using the information contained in this design guide or supplied by Hebel in the course of a project must satisfy themselves that it is true, current and appropriate for the application, consequently accepting responsibility for its use.

It is the responsibility of the architectural designer and engineering parties to ensure that the details in this design guide are appropriate for the intended application.

The recommendations in this design guide are formulated along the lines of good building practice, but are not intended to be an exhaustive statement of all relevant data.

Hebel is not responsible for the performance of constructed walls, including field performance, and does not interpret or make judgements about performance requirements in the BCA.

# Appendix A: Hebel PowerPanel<sup>XL</sup> Material Properties

## A.1 Manufacturing Tolerances

Length	±5mm
Width	±1.5mm
Thickness	±1.5mm
Diagonals (Max.)	5mm
Edge Straightness Deviation (Max.)	1.5mm

## A.2 PowerPanel<sup>XL</sup> Physical Properties

- Hebel PowerPanel<sup>XL</sup> profile and nominal dimensions are shown in Section 1.4.
- Panel reinforcement is a single layer of steel mesh with 4 longitudinal wires of 4mm diameter.
- Nominal dry density = 400 kg/m<sup>3</sup>.
- Average working density = 580 kg/m<sup>3</sup> at 45% moisture content.
- Average service life density = 440 kg/m<sup>3</sup> at 10% moisture content.

## A.3 PowerPanel<sup>XL</sup> Strength Properties

- Characteristic Compressive Strength or AAC,  $f'_{m} = 2.38$  MPa.
- Average Compressive Strength of AAC = 2.8 MPa.
- Characteristic Modulus of Rupture,  $f'_{ut} = 0.40$  MPa.

## A.4 PowerPanel<sup>XL</sup> Acoustic Properties

- Panel only with no plasterboard or other lining  
 $R_w = 34$ dB,  $R_w + C_{tr} = 30$ dB (refer to Acoustic Logic Test Report ref: 2010861.15/2602A/R2 GW).

## A.5 PowerPanel<sup>XL</sup> Thermal Properties

- R-Value of PowerPanel<sup>XL</sup> with no plasterboard or other lining = 0.60 m<sup>2</sup>.K/W (10% moisture content).

## A.6 Fire Hazard Indices

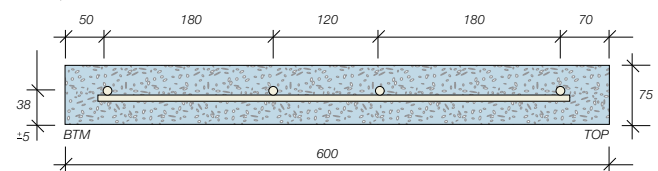
Hebel products have BCA Group Number 1 and also the following early fire hazard indices, determined in accordance with AS1530.3:1990:

Ignitability Index	0
Spread of Flame Index	0
Heat Development Index	0
Smoke Development Index	0-1

## A.7 Fire Resistance Level (FRL) Ratings

For fire performance characteristics of Hebel PowerPanel<sup>XL</sup>, refer to Section 2.2 of this guide.

## A.8 Typical Hebel PowerPanel<sup>XL</sup> and Panel X-Section



### Note:

BTM: To locate the approximate location of reinforcing the smooth edge of the panel is the bottom (BTM).

Bars: 4x4mm Ø longitudinal & 6-8 transverse bars depending on panel length.

Tolerance: The width & thickness of PowerPanel<sup>XL</sup> panels are manufactured to a tolerance of +1 or -1.5mm.

Cutting: Panel to be no less than 270mm wide. Where it is unavoidable to install a panel narrower than 270mm (eg between windows) the panel must not be less than 100mm in width and must be supported continuously along the length by Top Hats.

# Appendix B: Architectural Specification

This specification should be adopted as a guide only, and shall be superseded by the contract specifications of the project.

\* Insert or select appropriate specifications.

This information can be downloaded from the CSR Hebel Website – [www.hebelaustralia.com.au](http://www.hebelaustralia.com.au)

## Scope

The contractor shall furnish all material and equipment required to satisfactorily complete the installation and jointing of Hebel PowerPanel<sup>XL</sup> where indicated in the contract specification and/or on the layout drawings.

## Materials

All AAC material shall be Hebel PowerPanel<sup>XL</sup> as manufactured by CSR Hebel. Screws for fixing Hebel PowerPanel<sup>XL</sup> shall be supplied, manufactured or approved by CSR Hebel.

Timber or steel frame components shall be those as specified and designed by the project engineer or building designer.

All lining materials, fixings and finishing products shall be those manufactured and/or supplied by CSR Gyprock (or products of equivalent or better performance). Plasterboard shall be manufactured to meet the dimensional requirements of AS/NZS2588 'Gypsum Plasterboard'.

All infill material shall be, those manufactured and/or supplied by CSR Bradford (or products of equivalent or better performance).

## Hebel PowerPanel<sup>XL</sup>

The contractor shall supply and install the Hebel PowerPanel<sup>XL</sup> External Wall System (Hebel Code)\* ..... system as detailed in the project drawings and or specifications, in accordance with CSR Hebel PowerPanel<sup>XL</sup> Detached Houses & Low Rise Multi-Residential External Walls Design & Installation Guide.

Hebel PowerPanel<sup>XL</sup> framing, fixing and joints shall be designed and installed to comply with the requirements for an Ultimate Design Wind Pressure of \* ..... kPa maximum/minimum.

The wall shall have a Fire Resistance Level rating of \*FRL ..... / ..... / ..... for an external fire source, and/or \*FRL ..... / ..... / ..... for an internal fire source, in accordance with the requirements of AS1530.4.

Installation shall be carried out to the level specified for a field acoustic performance of \* ..... using cavity infill of \* Bradford ..... All movement joints shall be caulked with \* ..... backing rod and \* ..... external grade acoustic and or fire rated paintable sealant installed in accordance with the sealant manufacturer's recommendations.

## Wall Framing

Refer to project engineer or building designer documentation for the frame design.

## Fixings

Screws to fix the Hebel PowerPanel<sup>XL</sup> to the Top Hat shall be \* ..... and \*class ..... Screws to fix the Top Hats to the stud framing shall be \* ..... and \*Class .....

## Air Barrier/Sarking

The air barrier/sarking shall be \* ..... material. Fixing, jointing and sealing shall be designed and installed in accordance with the manufacturer's instructions, to comply with the requirements for an Ultimate Design Wind Pressure of \* ..... kPa maximum/minimum.

## Internal Plasterboard Lining

For non fire-rated wall systems, the framing shall be lined on the internal side with one layer of \* ..... mm Gyprock\* ..... plasterboard,

## OR

For fire-rated wall systems, the framing shall be lined on the internal side with one layer of \* ..... mm Gyprock\* ..... plasterboard, \* followed by a second layer of ..... mm Gyprock\* ..... plasterboard.

All layers shall be fixed and caulked as specified for the relevant system in the Gyprock<sup>®</sup> Steel Frame Wall System Installation Guide, NoGYP544, other relevant CSR Gyprock Technical Literature, and Rondo Building Services literature or appropriate steel frame manufacturer's literature.

## Levels of Finish – Internal

All framing, plasterboard lining, jointing and finishing shall be carried out to \*Level ..... Level of Finish, in accordance with Gyprock<sup>®</sup> Residential Installation Guide, NoGYP547 and/or AS/NZS2589.1 'Gypsum Linings in Residential and Light Commercial Construction – Application and Finishing'.

## Hebel PowerPanel<sup>XL</sup> Finishing

Coatings systems must conform to minimum system requirements as per details in section 2.5 of the Hebel PowerPanel<sup>XL</sup> Design and Installation Guide. Use of systems other than CSR Hebel approved Dulux AcraTex systems must be independently verified to conform.

Hebel PowerPanel<sup>XL</sup> shall be externally coated with \* ..... render and \* ..... coating system, which shall be installed to the manufacturer's recommendations.

If Hebel PowerPanel<sup>XL</sup> is attached to Top Hats by screwing from the outside, then all screw heads in the Hebel PowerPanel<sup>XL</sup> shall be covered with \* Hebel Adhesive/Hebel Patch, \* ..... and shall be sanded flush with the PowerPanel<sup>XL</sup> surface.

## Sealing and Caulking

All movement, control and abutment joints shall be caulked with \* ..... backing rod and \* ..... an external grade acoustic and/or fire rated paintable sealant installed in accordance with the sealant manufacturer's recommendations.

# Appendix C: Designer, Builder, Installer & Inspector/Supervisor Checklists

This checklist is to be read in conjunction with ALL CSR Hebel documentation including the CSR Hebel Technical Manual, Safe Work Method Statements (SWMS) and technical advice from CSR Hebel. Coordination and compliance with specifications by the project engineer, building designer and architect where required is also compulsory. These project consultants are also responsible for incorporating this system into the subject project.

If you are not in receipt of any of these documents, please ask your CSR Hebel representative or project consultant to provide them prior to commencement of any Hebel PowerPanel<sup>XL</sup> installation.

Project Details: \_\_\_\_\_

Wall/s Areas Details: \_\_\_\_\_

Checklist – Designer	
Slab	<ol style="list-style-type: none"> <li>Design slab step down: 72mm wide, typical depth 150mm (min. 20mm).</li> <li>Adjust engineering drawings and advise concreter.</li> </ol>
Frame	<ol style="list-style-type: none"> <li>Nominal total wall thickness 170mm (70mm stud) or 190mm (90mm stud).</li> <li>Adjust documentation to suit PowerPanel<sup>XL</sup> External Wall system:               <ul style="list-style-type: none"> <li>with openings dimensioned,</li> <li>distance between openings to 300mm module,</li> <li>distance from openings to corners to 300mm module and to suit PowerPanel<sup>XL</sup> panel orientation.</li> </ul> </li> <li>Ensure structural design of frame allows for the additional weight of the suspended PowerPanel<sup>XL</sup> panels.</li> <li>Bracing to be steel cross bracing where possible, otherwise brace the whole wall with plywood bracing. Framer to be informed of system requirements.</li> </ol>
Windows	<ol style="list-style-type: none"> <li>Windows to be ordered with correct reveal size.</li> <li>Windows to be ordered to suit 300mm module if possible. In either case, the width should be shown on the drawings.</li> </ol>
Features	<ol style="list-style-type: none"> <li>Design and document any special features on the drawing, such as quoins, corbels, sills, trims, etc.</li> </ol>
Coatings	<ol style="list-style-type: none"> <li>Select colour and texture prior to PowerPanel<sup>XL</sup> panel installation.</li> <li>Select colour for special features, if necessary.</li> </ol>

Design criteria to help minimise installation costs	
Drawings	<p>Drawings should reflect the following design items:</p> <ol style="list-style-type: none"> <li>All openings dimensioned on the plan</li> <li>Walls set out to 300mm module as much as possible</li> <li>Orientation of panels at corners noted and allowed for in dimensions</li> <li>Details provided on the required sill profile and any special features and position of control joints</li> </ol>
Cutting	<ol style="list-style-type: none"> <li>If the number of full height panels that require a full length site cut (ie. 2400mm or 2700mm) exceeds 10% of the number of panels supplied to the project, then the installation cost is likely to be higher. This percentage excludes bay windows which are typically installed as an extra.</li> </ol>

Checklist – Builder	
Slab	<ol style="list-style-type: none"> <li>1. Ensure slab rebate formed correctly and flattened with a wood float, adjust if necessary.</li> <li>2. Ensure slab edge does not protrude further than 72mm from the frame and the vertical edge of the rebate does not proceed further than 20mm from the frame, adjust if necessary.</li> </ol>
Frame	<ol style="list-style-type: none"> <li>1. Ensure frame is complete, level, plumb and installed where required for the installation of the Top Hats and PowerPanel<sup>XL</sup> panel, especially in the gable areas.</li> <li>2. Ensure the bracing has been installed correctly, with extra ply added, to maintain the alignment of the entire wall.</li> </ol>
Services	<ol style="list-style-type: none"> <li>1. Ensure water pipes have been installed with all vertical runs located between the studs and not on the external face of the frame.</li> </ol>
Windows	<ol style="list-style-type: none"> <li>1. Ensure windows have been supplied with the correct reveal size and installed correctly.</li> </ol>
Supplied by Builder	<ol style="list-style-type: none"> <li>1. The supervisor is to organise supply of the following items to the site BEFORE the installers commence the PowerPanel<sup>XL</sup> panels installation: <ul style="list-style-type: none"> <li>– DPC,</li> <li>– Galvanised lintels (if required),</li> <li>– ‘Abeflex’ (gables and control joints),</li> <li>– Sealant and foam backing rod for control joints.</li> </ul> </li> </ol>

## NOTE

It is important that the builder understands his responsibilities as outlined in the previous two checklists and refers to the construction details in this guide, in order to ensure that the greatest benefit is achieved

Checklist – Inspector/Supervisor	
Documentation	<ol style="list-style-type: none"> <li>1. CSR Hebel PowerPanel<sup>XL</sup> Architectural Specification (Appendix B).</li> <li>2. CSR Hebel PowerPanel<sup>XL</sup> Detached Houses &amp; Low Rise Multi-Residential External Walls Design and Installation Guide.</li> </ol>
Installation of 75mm Hebel PowerPanel <sup>XL</sup> panels	<ol style="list-style-type: none"> <li>1. DPCs.</li> <li>2. No. of Top Hats, minimum three (refer Table 1.3 and 1.6).</li> <li>3. Extra Top Hats around openings.</li> <li>4. Top Hats discontinuous at control joint.</li> <li>5. No. of screws per PowerPanel<sup>XL</sup> panel, minimum two per Top Hat (refer Table 1.4, 1.5 and 1.7).</li> <li>6. Top Hat clearance from plumbing, 10mm.</li> <li>7. Joints all full with adhesive and flush.</li> <li>8. Window detail.</li> <li>9. Location and construction of control joints.</li> <li>10. Minimum width of PowerPanel<sup>XL</sup> panels not less than 270mm.</li> </ol>
Coating	<ol style="list-style-type: none"> <li>1. Interface between panels and windows sealed.</li> <li>2. Control joints sealed and ‘V’ grooved.</li> <li>3. Coating of exposed reinforcement prior to coating.</li> <li>4. Render and texture coatings not to bridge sealants. (i.e. at control joints).</li> </ol>

Checklist – Installer	
Tools and Equipment	<ol style="list-style-type: none"> <li>1. Power supply.</li> <li>2. Hebel tools.</li> <li>3. Power drill with clutch control.</li> <li>4. Circular saw with metal cutting or diamond tipped blade.</li> <li>5. Panel lifters.</li> <li>6. Sockets for screws.</li> <li>7. Safety equipment.</li> </ol>
Documentation	<ol style="list-style-type: none"> <li>1. Architectural drawings from builder.</li> <li>2. CSR Hebel PowerPanel<sup>XL</sup> Detached Houses &amp; Low Rise Multi-Residential External Walls Design and Installation Guide.</li> <li>3. Wind category to be specified by designer.</li> </ol>
Installation of 75mm Hebel PowerPanel <sup>XL</sup> panels	<ol style="list-style-type: none"> <li>1. No. of Top Hats required, minimum 3 (refer Table 1.3 and 1.6).</li> <li>2. Top Hats screwed to stud with 2 screws/stud.</li> <li>3. No. of screws per PowerPanel<sup>XL</sup> panel, minimum 6 (refer Table 1.4, 1.5 and 1.7).</li> <li>4. Extra screws and/or Top Hats required around corners or for fire rating.</li> <li>5. Joints all full with adhesive and flush.</li> <li>6. Control joint locations.</li> <li>7. Extra materials for sills and details (optional).</li> <li>8. Clearance of Top Hat from plumbing services (10mm minimum).</li> <li>9. Exposed reinforcement coated with anti-corrosion agent.</li> </ol>
Extras Provided by Installer	<ol style="list-style-type: none"> <li>1. M6/M12 masonry anchors for fixing angles to piers and brick sub-floor walls.</li> <li>2. 600x200x50mm Hebel blocks for sills, etc, if required.</li> <li>3. Anti-corrosive agent (purchased from CSR Hebel).</li> <li>4. The large and small screws (optional).</li> </ol>



# Appendix D: PowerPanel<sup>XL</sup> system descriptions

Code	Description
Hebel 1400	Hebel Houses & Low Rise External Wall PowerPanel <sup>XL</sup> Single Foil, 70mm Stud 24mm Cavity
Hebel 1401	Hebel Houses & Low Rise External Wall PowerPanel <sup>XL</sup> Single Foil, 90mm Stud 24mm Cavity
Hebel 1402	Hebel Houses & Low Rise External Wall PowerPanel <sup>XL</sup> Single Foil + R2.0 Batt, 70mm Stud 24mm Cavity
Hebel 1403	Hebel Houses & Low Rise External Wall PowerPanel <sup>XL</sup> Single Foil + R2.0 Batt, 90mm Stud 24mm Cavity
Hebel 1404	Hebel Houses & Low Rise External Wall PowerPanel <sup>XL</sup> Double Foil, 70mm Stud 24mm Cavity
Hebel 1405	Hebel Houses & Low Rise External Wall PowerPanel <sup>XL</sup> Double Foil, 90mm Stud 24mm Cavity
Hebel 1406	Hebel Houses & Low Rise External Wall PowerPanel <sup>XL</sup> Double Foil + R2.0 Batt, 70mm Stud 24mm Cavity
Hebel 1407	Hebel Houses & Low Rise External Wall PowerPanel <sup>XL</sup> Double Foil + R2.0 Batt 90mm Stud 24mm Cavity
Hebel 1408	Hebel Houses & Low Rise External Wall PowerPanel <sup>XL</sup> Single Foil, 70mm Stud 35mm Cavity
Hebel 1409	Hebel Houses & Low Rise External Wall PowerPanel <sup>XL</sup> Single Foil, 90mm Stud 35mm Cavity
Hebel 1410	Hebel Houses & Low Rise External Wall PowerPanel <sup>XL</sup> Single Foil + R2.0 Batt, 70mm Stud 35mm Cavity
Hebel 1411	Hebel Houses & Low Rise External Wall PowerPanel <sup>XL</sup> Single Foil + R2.0 Batt, 90mm Stud 35mm Cavity
Hebel 1412	Hebel Houses & Low Rise External Wall PowerPanel <sup>XL</sup> Double Foil, 70mm Stud 35mm Cavity
Hebel 1413	Hebel Houses & Low Rise External Wall PowerPanel <sup>XL</sup> Double Foil, 90mm Stud 35mm Cavity
Hebel 1414	Hebel Houses & Low Rise External Wall PowerPanel <sup>XL</sup> Double Foil + R2.0 Batt, 70mm Stud 35mm Cavity
Hebel 1415	Hebel Houses & Low Rise External Wall PowerPanel <sup>XL</sup> Double Foil + R2.0 Batt 90mm Stud 35mm Cavity
NOTES	Single Foil = Single sided reflective foil Double Foil = Double sided reflective foil



## The better way to build

### CSR HEBEL

112 Wisemans Ferry Road

Somersby NSW 2250

Fax (02) 4340 3300

### Health & Safety

Information on any known health risks of our products and how to handle them safely is on their packaging and/or the documentation accompanying them. Additional information is listed in the Material Safety Data Sheet (MSDS). To obtain a copy of a MSDS, telephone 1800 807 668 or download from [www.hebelaustralia.com.au](http://www.hebelaustralia.com.au). Contractors are required by law to perform their own risk assessments before undertaking work. Hebel has sample Safe Work Method Statements (SWMS) to assist in this. To obtain a sample SWMS, refer also to the above sources.

### Performance & Certification

Hebel® products are manufactured in Australia by CSR Building Products.

A.B.N. 55008631356. It is a manufacturer and supplier of Hebel Autoclaved Aerated Concrete (AAC) products. Because it is a manufacturer and supplier only, CSR does not employ people qualified as Accredited or Principal Certifiers. CSR is therefore unable to provide Construction Compliance Certificates or Statements of Compliance. CSR conducts appropriate testing of its products and systems to determine performance levels. These include structural, fire and acoustic tests. Testing is conducted and certified by appropriate specialists in these fields. When using Hebel products and systems in specific projects, such specialists should be consulted to ensure compliance with the Building Code of Australia and relevant Australian Standards.

### Other


The design of a wall, floor or fence system requires the services of professional consultants. This Design Guide has been prepared as a source of information to provide general guidance to those consultants – and in no way replaces the services of the professional consultant and relevant engineers designing the project.

No liability can therefore be accepted by CSR or other parties for the use of this Design Guide. Hebel products and systems undergo constant research and development to integrate new technology and reflect ongoing performance enhancement.

Hebel systems are also constantly reviewed so as to reflect any changes in legislative building requirements and/or general developments in common building practice. Due to our commitment to continual development and improving our building systems.

We advise that all users of this manual: HEB1353 August 2011 should regularly check that this manual is current, and they are applying our latest design information.

The latest editions of our Design Guides and supplementary diagrams and technical data are always available on our website: [www.hebelaustralia.com.au](http://www.hebelaustralia.com.au)

 Hebel® is a registered trademark of the Xella group. CSR Building Products Limited is an exclusive licensee of Xella.

CSR Hebel is a business of CSR Building Products Limited ABN 55 008 631 356. CSR, PowerPanelXL®, PowerClad®, Hebel Block®, PowerFloor®, Hebel Floor®, PowerFence®, PowerBase®, HighBuild®, are registered trademarks of CSR Building Products Limited. Dulux® and AcraTex® are registered trade marks of Dulux Group (Australia)

## The better way to build

Hebel is a quality building product, and is backed by CSR Building Products Limited.

Further details on engineering and building with Hebel systems are available in the Hebel Design Guides and Technical Manual. To obtain a copy, or for further sales or technical assistance, please visit our website.

Hebel website:

[www.hebelaustralia.com.au](http://www.hebelaustralia.com.au)

For sales enquiries or further information, please

telephone us from anywhere in Australia:

# 1300 369 448

### Guarantee

Hebel guarantees the products manufactured by itself and the systems described in Hebel literature for 7 years, subject to the terms and conditions of the Hebel Guarantee which can be inspected in the Hebel website at [www.hebelaustralia.com.au](http://www.hebelaustralia.com.au). Hebel does not however guarantee the components, products or services, such as installation, supplied by others. Hebel recommends that only products, components and systems recommended by it be used.

### Disclaimer

The information presented herein is supplied in good faith and to the best of our knowledge was accurate at the time of preparation. The provision of this information should not be construed as a recommendation to use any of our products in violation of any patent rights or in breach of any statute or regulation. Users are advised to make their own determination as to the suitability of this information in relation to their particular purpose or specific circumstances. Since the information contained in this document may be applied under conditions beyond our control, no responsibility can be accepted by Hebel, or its staff for any loss or damage caused by any person acting or refraining from action as a result of misuse of this information.

HELIT016 Nov13

Available from:

